

# PRODUCT CATALOG

**ALPHA**<sup>®</sup>  
High Theft Solutions



**2014**

# ABOUT ALPHA

Alpha provides you with the most innovative and technically advanced products engineered to protect your high-theft merchandise. Any theft is unacceptable. It is our goal to help you control all levels of theft and improve your bottom line one innovation at a time.

Every Alpha product provides:

- **Security** to ensure the highest level of protection for your high-theft merchandise.
- **Aesthetics** to enhance the merchandising of the retail products they protect.
- **Value** to increase your profits by reducing theft and helping to defend your bottom line.
- **Ease-of-use** allows for easy application and removal with less disruption to your sales process.

# PROVEN RESULTS

Integrating Alpha solutions into your loss prevention plan is an investment. Our solutions are designed to defend your bottom line, and you will see results immediately with a pay-off in months, not years. This outstanding ROI has been proven time and time again with our customers. **We welcome the opportunity to help you with your greatest challenges.**

# CONTACT US

**Global Headquarters**  
10715 Sikes Place, Suite 200  
Charlotte, NC 28277  
888.257.4272

**Customer Service**  
800.633.2155



# BOTTLE CAPS

---

# CABLELOKS

---

# HARD TAGS

---

# KEEPERS

---

# KEYS

---

# NANOGATE

---

# SINGLE USE

---

# SPIDER WRAPS

---

# VERSALOK

---

# DISPLAY SOLUTIONS

---

**O**ur bottle cap protection portfolio has been designed to bring security, ease of use, and aesthetics to the forefront. Find the ideal solution for nearly every size bottle.

# BOTTLE CAPS





Clear top provides better product display

Pain points under the base deter improper prying

Benefit denial design

The clear design of the Crystal Guard bottle cap provides attractive benefit denial security for your merchandise. Four sizes offer a full range of coverage for a highly secure, perfect fit.

**KEY FEATURES:**

- Cap offers a strong visual deterrent and benefit denial protection
- Pain points under the base deter improper prying
- Clear top provides a clean product display and easy viewing of product labels
- Comes in small, large, extra large and tall sizes

**SUGGESTED APPLICATIONS:**

Wine bottles  
Spirits

Different sizes available to ensure a snug fit



Small Large Extra Large Tall



ORDER CODE	SAP CODE	DESCRIPTION	INTERNAL DIA. (MIN-MAX)	EXTERNAL DIM. (H x W x D)	CARTON QTY.
S3BLSMND	9282738	Crystal Guard Small - AM	1.00"-1.24" Dia	1.74"H x 2.09"W x 2.63"D	50
S3BLSMRF	9282739	Crystal Guard Small - RF	(2.53-3.15 cmDia)	(4.43cmH x 5.30cmW x 6.67cmD)	50
S3BLLND	9282740	Crystal Guard Large - AM	1.21"-1.41" Dia	2.30"H x 2.31"W x 2.83"D	50
S3BLLRF	9282771	Crystal Guard Large - RF	(3.08-3.59 cmDia)	(5.83cmH x 5.87cmW x 7.19cmD)	50
S3BLXLND	9282772	Crystal Guard Extra Large - AM	1.46"-1.64" Dia	1.66"H x 2.53"W x 3.05"D	50
S3BLXLRF	9282773	Crystal Guard Extra Large - RF	(3.70-4.17 cmDia)	(4.22cmH x 6.41cmW x 7.74cmD)	50
S3BSNND	9282774	Crystal Guard SN Tall - AM	1.24"-1.31" Dia	2.71"H x 2.32"W x 2.85"D	50
S3BSNRF	9282775	Crystal Guard SN Tall - RF	(3.31-3.33 cmDia)	(6.89cmH x 5.89cmW x 7.24cmD)	50

**BOTTLE CAPS**

# EASy Guard™

**ALPHA**  
High Theft Solutions

Benefit denial design

Clear top provides a clean product display



Alpha's EASy Guard provides excellent manageability, optimal merchandising and benefit denial security. With both small and large options, the attractive EASy Guard will fit more than 90% of wine and spirit bottles on the market. Ease of application makes in-store operations quick and intuitive.

**KEY FEATURES:**

- Cap offers a strong visual deterrent and benefit denial protection
- Small and large size options will protect more than 90% of the bottles in the wine and spirit market
- Clear top provides clean product display and easy viewing of product labels

**SUGGESTED APPLICATIONS:**

- Wine bottles
- Spirits

Two different sizes available to ensure a snug fit



ORDER CODE	SAP CODE	DESCRIPTION	INTERNAL DIA. (MIN-MAX)	EXTERNAL DIM. (L x W x D)	CARTON QTY.
S3EGBLSMND	9411202	EASy Guard Small - AM	0.00"-0.00" Dia	2.67"L x 1.72"W x 2.35"D	50
S3EGBLSMRF	9411203	EASy Guard Small - RF	(0.00-0.00 cmDia)	(6.78 cmL x 4.38 cmW x 5.97 cmD)	50
S3EGBLLND	10033872	EASy Guard Large - AM	0.00"-0.00" Dia	2.55"L x 1.92"W x 3.23"D	50
S3EGBLLRF	9415437	EASy Guard Large - RF	(0.00-0.00 cmDia)	(6.48 cmL x 4.87 cmW x 8.21 cmD)	50

Internal hinges make the cap resistant to defeat

Easily customizable



Button adjusts to create a tight, secure fit on various bottle neck sizes



Magna Guard is the only cap on the market designed to accommodate hard-to-fit, extra large bottle necks and unusually shaped tops. The clamshell design features secure, internal hinges and an adjustable closure to assure a snug, protected fit.

**KEY FEATURES:**

- Clear cap allows for easy readability of bottle labels
- Clamshell design makes application and removal quick and easy
- Internal hinges make the cap resistant to defeat
- Easily customizable

**SUGGESTED APPLICATIONS:**

Popular tequila brands and oversized bottle necks — anything with unusually shaped caps



ORDER CODE	SAP CODE	DESCRIPTION	INTERNAL DIA. (MIN-MAX)	EXTERNAL DIM. (L x W x H)	CARTON QTY.
S3XXLBLNDRF	10106326	S3 XXL Bottle Cap - AM & RF	1.49" – 1.60" Dia (3.78 – 4.06cmD)	3.56"L x 2.57"W x 2.34"H (9.04cmL x 6.53cmW x 5.94cmH)	50

**BOTTLE  
CAPS**

# 2 & 3 Alarm<sup>®</sup> Rx Cap<sup>™</sup>

**ALPHA<sup>®</sup>**  
High Theft Solutions

Protects your merchandise  
against unauthorized use



The Rx Cap provides the highest level of protection for both controlled and over-the-counter pharmaceuticals and supplements. The prominent cap offers a strong visual deterrent and the innovative design provides robust security.

**KEY FEATURES:**

- Strong, 7x7 aircraft cable cinches tightly to create a secure fit
- Small and large options cover more than 90% of bottles found in the market
- Available in 2 and 3 Alarm options for added security
- The 3 Alarm<sup>®</sup> Rx Cap partners perfectly with NanoGate<sup>®</sup>

**SUGGESTED APPLICATIONS:**

- High-risk pharmaceuticals
- Over-the-counter medications
- Dietary supplements
- Vitamins
- Prescription bottles
- Motor oil bottles
- Baseball bats

**3 ALARM TECHNOLOGY:**

- EAS Protection: Activates EAS alarm if a breach occurs
- Early Detection: Alarms when merchandise is tampered with in store
- Extended Range: Self alarms if merchandise is removed from store

Easy-wind flip top creates  
a more secure fit



ORDER CODE	SAP CODE	DESCRIPTION	EXTERNAL DIM. (H x Diameter)	CARTON QTY.
2S3RXCSND	10003450	2 Alarm Rx Cap Small - AM	2.00"H x 2.68" Diameter	25
2S3RXCSRF	10003451	2 Alarm Rx Cap Small - RF	(5.08 cmH x 6.80 cmDia)	25
2S3RXCLND	10101217	2 Alarm Rx Cap Large - AM	2.07"H x 2.94" Diameter	25
2S3RXCLRF	10033861	2 Alarm Rx Cap Large - RF	(5.27 cmH x 7.47 cmDia)	25

Continued on back ...

ORDER CODE	SAP CODE	DESCRIPTION	EXTERNAL DIM. (H x Diameter)	CARTON QTY.
3S3RXCSND	10033778	3 Alarm Rx Cap Small - AM	2.00"H x 2.68" Diameter	25
3S3RXCSRF	10033779	3 Alarm Rx Cap Small - RF	(5.08 cmH x 6.80 cmDia)	25
3S3RXCLND	10101216	3 Alarm Rx Cap Large - AM	2.07"H x 2.94" Diameter	25
3S3RXCLRF	9415483	3 Alarm Rx Cap Large - RF	(5.27 cmH x 7.47 cmDia)	25



**BOTTLE  
CAPS**

# S3™ Bottle Cap

**ALPHA**  
High Theft Solutions



Benefit denial design

The S3 Bottle Cap has been a market leader for more than ten years. Quick, easy application and removal allows for maximum efficiency in store. The prominent black cap provides both a strong visual deterrent and highly secure benefit denial.

**KEY FEATURES:**

- Cap provides benefit denial security; protecting your merchandise
- Available in small, large and extra large sizes ensuring the perfect fit
- Easy to apply and remove

**SUGGESTED APPLICATIONS:**

Wine bottles  
Spirits

Offered in three sizes ensuring the perfect fit and maximum protection



Small

Large

Extra Large



ORDER CODE	SAP CODE	DESCRIPTION	INTERNAL DIM. (H x Dia)	EXTERNAL DIM. (H x Dia)	CARTON QTY.
S3EBSSMNDL	9175073	Bottle Cap Small - AM	1.42" H x 0.95-1.27" Dia	2.96"H x 2.22"Dia	50
S3EBSSMRFL	10006380	Bottle Cap Small - RF	(3.60cmH x 2.40-3.20cmDia)	(7.50cmH x 5.60cmDia)	50
S3EBLSMNDL	9175071	Bottle Cap Large - AM	1.42" H x 1.15-1.47" Dia	2.96"H x 2.22"Dia	50
S3EBLSMRFL	9169229	Bottle Cap Large - RF	(3.60cmH x 2.90-3.70cmDia)	(7.50cmH x 5.60cmDia)	50
S3EBXLSMNDL	6104525	Bottle Cap Extra Large - AM	1.63" H x 1.41-1.75" Dia	3.14"H x 2.61"Dia	50
S3EBXLSMRFL	9261537	Bottle Cap Extra Large - RF	(4.10cmH x 3.60-4.40cmDia)	(8.00cmH x 6.60cmDia)	50



The Steel Grip rounds out Alpha's extensive bottle security portfolio. Created to protect lower-risk merchandise, this versatile solution features a strong, metal strap for maximum protection and a small, sleek profile for minimal impact to your product display.

**KEY FEATURES:**

- Provides a strong visual deterrent
- Available in both large and extra large sizes to fit more than 90% of wine and spirit bottles in the market
- Easy and intuitive to use and remove for minimal disruption at the Point of Sale (POS)

**SUGGESTED APPLICATIONS:**

- Wine bottles
- Spirits
- Laundry care products
- Auto care products



ORDER CODE	SAP CODE	DESCRIPTION	INTERNAL DIA. (MIN-MAX)	EXTERNAL DIM. (H x W x D)	CARTON QTY.
S3BWMSND	9282736	Steel Grip Bottle Wrap - AM	1.30" - 1.62"Dia	2.95"H x 2.70"W x 1.10"D	100
S3BWMSRF	9282737	Steel Grip Bottle Wrap - RF	(3.30 - 4.11cmDia)	(7.49cmH x 6.86cmW x 2.57cmD)	100
S3BWMSXLND	10006384	Steel Grip XL Bottle Wrap - AM	0.84"D - 1.33"Dia	2.27"H x 1.99"W x 0.67"D	100
S3BWMSXLR	10006385	Steel Grip XL Bottle Wrap - RF	(2.13 - 3.38cmDia)	(5.77cmH x 5.04cmW x 1.70cmD)	100



The 1 Alarm Wine Guard Bottle Cap is the perfect solution to protect your high-theft wines. It combines a high level of security with the ultimate ease of use — the one-handed application and removal guarantees efficiency at the POS. Stop whining about your losses and start winning with our proven ROI.

**KEY FEATURES:**

- Provides a strong visual deterrent
- Fits more than 90% of wine bottles in the market
- Easy and intuitive to use and remove for minimal disruption at the Point of Sale (POS)

**SUGGESTED APPLICATIONS:**

Wine bottles



ORDER CODE	SAP CODE	DESCRIPTION	INTERNAL DIM. (H x Dia)	EXTERNAL DIM. (H x Dia)	CARTON QTY.
S3OSBLND	10104034	1 Alarm Wine Guard - AM	2.895"H x 1.589"Dia.	3.165"H x 2.824"Dia.	50
S3OSBLRF	10104035	1 Alarm Wine Guard - RF	(7.35cmH x 4.036cmDia.)	(8.03cmH x 7.175cmDia.)	50

**D**esigned to give you maximum protection with minimum loss, CableLoks protect a wide range of high-theft hard and soft goods. They are reusable and flexible providing open display and increased sales.

# CABLELOKS®



CABLELOKS

# 2 & 3 Alarm<sup>®</sup> CableLok<sup>®</sup>

**ALPHA**<sup>®</sup>  
High Theft Solutions



Specifically designed to help you lose less and sell more, CableLoks protect a wide range of high-theft hard and soft goods merchandise. CableLoks are reusable and completely portable, permitting open merchandising and free movement in the store, which in turn minimizes sales assistance.

**KEY FEATURES:**

- 7x7 strand aircraft grade cable
- 95 dBA alarm
- Flashing LED light
- Isolated sound chamber
- Easy to apply and remove
- Tough, secure and reusable
- The 3 Alarm CableLok partners perfectly with NanoGate<sup>®</sup>

**SUGGESTED APPLICATIONS:**

6" CableLok: Luxury handbags, backpacks, luggage, camera bags, briefcases, sports equipment, power tools, grills

48" CableLok: Coats, furs, dresses, men's and women's suits

**3 ALARM TECHNOLOGY:**

EAS Protection: Activates EAS alarm if a breach occurs

Early Detection: Alarms when merchandise is tampered with in store

Extended Range: Self alarms if merchandise is removed from store



Eliminates hard-wire cabling and safety claims from customers tripping over power transformer and wire cables



ORDER CODE	SAP CODE	DESCRIPTION	EXTERNAL DIM. (L x W x D)	CARTON QTY.
AL2CLND	10103148	2 Alarm Coaxial CableLok AM - 6" Lanyard (15.24 cm)	Housing - 3.53"L x 1.62"W x 0.74"D	25
AL2CLRf	10103147	2 Alarm Coaxial CableLok RF - 6" Lanyard (15.24 cm)	(8.97 cmL x 4.11 cmW x 1.88 cmD)	25
AL2XLCLND	10103149	2 Alarm Coaxial CableLok AM - 48" Lanyard (121.92 cm)	Housing - 3.53"L x 1.62"W x 0.74"D	25
AL2CLXLRF	10103150	2 Alarm Coaxial CableLok RF - 48" Lanyard (121.92 cm)	(8.97 cmL x 4.11 cmW x 1.88 cmD)	25

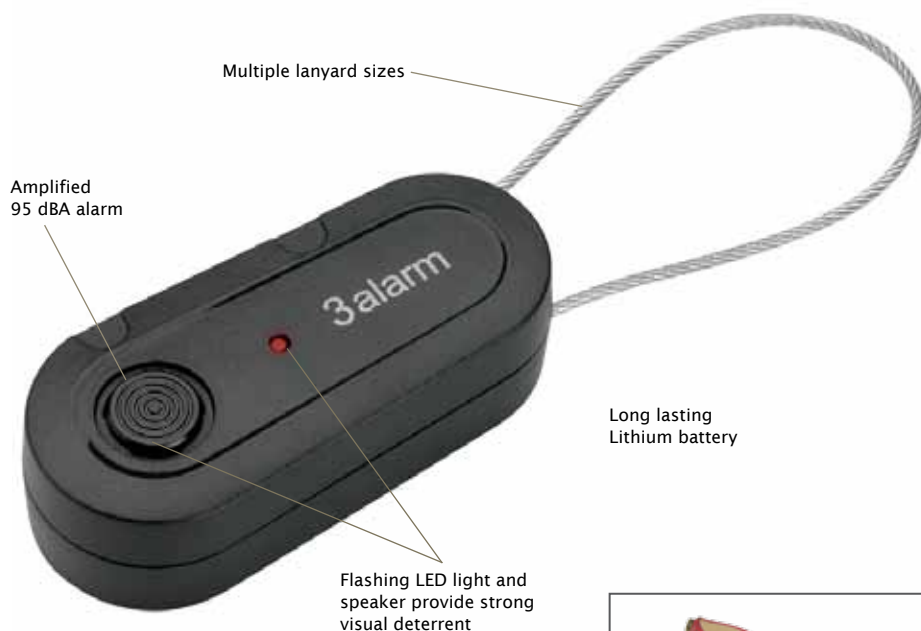
Continued on back ...

ORDER CODE	SAP CODE	DESCRIPTION	EXTERNAL DIM. (L x W x D)	CARTON QTY.
AL3CLLNDL	10104081	3 Alarm Coaxial CableLok AM - 6" Lanyard (15.24 cm)	Housing - 3.50"L x 1.50"W x 0.75"D	25
AL3NCLRF	10104082	3 Alarm Coaxial CableLok RF - 6" Lanyard (15.24 cm)	(8.90 cmL x 3.80 cmW x 1.90 cmD)	25
AL3CLBLXLNDL	10104083	3 Alarm Coaxial CableLok AM - 48" Lanyard (121.92 cm)	Housing - 3.50"L x 1.50"W x 0.75"D	25
AL3NCLXLR	10104084	3 Alarm Coaxial CableLok RF - 48" Lanyard (121.92 cm)	(8.90 cmL x 3.80 cmW x 1.90 cmD)	25

CABLELOKS

# 2 & 3 Alarm<sup>®</sup> Mini CableLok<sup>®</sup>

**ALPHA**<sup>®</sup>  
High Theft Solutions



Eliminates hard-wire cabling and safety claims from customers tripping over power transformer and wire cables



The 2 and 3 Alarm Mini CableLoks have made open merchandising easier and more seamless than ever. Big protection wrapped in a small, elegant package make this solution the perfect option for securing a wide variety high-end hard and soft goods.

**KEY FEATURES:**

- 7x7 strand aircraft grade cable
- 95 dBA alarm
- Flashing LED light
- Isolated sound chamber
- Easy to apply and remove
- Tough, secure and reusable
- The 3 Alarm Mini CableLok partners perfectly with NanoGate<sup>®</sup>

**SUGGESTED APPLICATIONS:**

- 3.5" CableLok: Shoes
- 6" CableLok: Luxury handbags, high fashion apparel, delicates, belts, gloves and applicable packaged merchandise
- 48" CableLok: Coats, dresses, men's and women's suits

**3 ALARM TECHNOLOGY:**

- EAS Protection: Activates EAS alarm if a breach occurs
- Early Detection: Alarms when merchandise is tampered with in store
- Extended Range: Self alarms if merchandise is removed from store

ORDER CODE	SAP CODE	DESCRIPTION	EXTERNAL DIM. (L x W x D)	CARTON QTY.
2ALMINICLND4	10107199	2 Alarm Mini CableLok AM - 3.5" Lanyard (9.10 cm)	Housing - 2.60"L x 1.16"W x 0.80"D (6.60 cmL x 2.95 cmW x 2.03 cmD)	25
2ALMINICLRF4	10107200	2 Alarm Mini CableLok RF - 3.5" Lanyard (9.10 cm)		25
2ALMINICLND6	10107211	2 Alarm Mini CableLok AM - 6" Lanyard (15.24 cm)	Housing - 2.60"L x 1.16"W x 0.80"D (6.60 cmL x 2.95 cmW x 2.03 cmD)	25
2ALMINICLRF6	10107212	2 Alarm Mini CableLok RF - 6" Lanyard (15.24 cm)		25
2ALMINICLRF48	10107214	2 Alarm Mini CableLok RF - 48" Lanyard (121.92 cm)	Housing - 2.60"L x 1.16"W x 0.80"D (6.60 cmL x 2.95 cmW x 2.03 cmD)	25

Continued on back ...

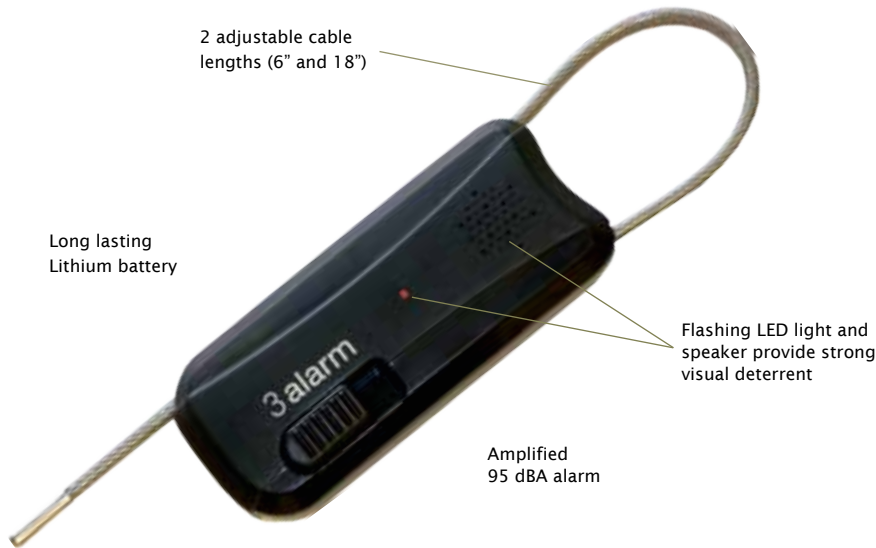
ORDER CODE	SAP CODE	DESCRIPTION	EXTERNAL DIM. (L x W x D)	CARTON QTY.
3ALMINICLND6	10107215	3 Alarm Mini CableLok AM - 6" Lanyard (15.24 cm)	Housing - 2.60"L x 1.16"W x 0.80"D	25
3ALMINICLRF6	10107216	3 Alarm Mini CableLok RF - 6" Lanyard (15.24 cm)	(6.60 cmL x 2.95 cmW x 2.03 cmD)	25
3ALMINICLND48	10107217	3 Alarm Mini CableLok AM - 48" Lanyard (121.92 cm)	Housing - 2.60"L x 1.16"W x 0.80"D	25
3ALMINICLRF48	10107218	3 Alarm Mini CableLok RF - 48" Lanyard (121.92 cm)	(6.60 cmL x 2.95 cmW x 2.03 cmD)	25





# 1, 2 & 3 Alarm<sup>®</sup> Adjustable CableLok<sup>®</sup>

**ALPHA**<sup>®</sup>  
High Theft Solutions



Available in 1, 2 and 3 Alarm strengths, the patented design of the Adjustable CableLok provides strong and flexible security. The adjustable cable cinches down onto the merchandise creating a custom, protected fit every time.

**KEY FEATURES:**

- 7x7 strand aircraft grade cable
- Two adjustable cable lengths — 6" & 18"
- Tough, secure and reusable
- Adjusts to fit tightly around merchandise
- The 3 Alarm Adjustable CableLok partners perfectly with NanoGate<sup>®</sup>

**SUGGESTED APPLICATIONS:**

- Copper tubing
- Grills
- Lawn mowers
- Power hand tools
- Sporting equipment
- Briefcases
- Display merchandise
- Clamshell-packaged merchandise

Eliminates hard-wire cabling and safety claims from customers tripping over power transformer and wire cables



**3 ALARM TECHNOLOGY:**

- EAS Protection: Activates EAS alarm if a breach occurs
- Early Detection: Alarms when merchandise is tampered with in store
- Extended Range: Self alarms if merchandise is removed from store

ORDER CODE	SAP CODE	DESCRIPTION	EXTERNAL DIM. (L x W x D)	CARTON QTY.
ADJCLSND	9298599	1 Alarm Adjustable CableLok AM - 6" (15.24 cm)	Housing - 2.68"L x 1.26"W x 0.70"D	25
ADJCLSRF	9298600	1 Alarm Adjustable CableLok RF - 6" (15.24 cm)	(6.80 cmL x 3.20 cmW x 1.77 cmD)	25
2ALADJCLSND	10003271	2 Alarm Adjustable CableLok AM - 6" (15.24 cm)	Housing - 3.50"L x 1.50"W x 0.77"D	25
			(8.89 cmL x 3.78 cmW x 1.96 cmD)	

Continued on back ...

ORDER CODE	SAP CODE	DESCRIPTION	EXTERNAL DIM. (L x W x D)	CARTON QTY.
2ALADJLLND	10003269	2 Alarm Adjustable CableLok AM - 18" (45.75 cm)	Housing - 3.50"L x 1.50"W x 0.77"D (8.89 cmL x 3.78 cmW x 1.96 cmD)	25
3ALADJCLSND	10003505	3 Alarm Adjustable CableLok AM - 6" (15.24 cm)	Housing - 3.50"L x 1.50"W x 0.77"D (8.89 cmL x 3.78 cmW x 1.96 cmD)	25
3ALADJCLSRF	10003506	3 Alarm Adjustable CableLok RF - 6" (15.24 cm)	Housing - 3.50"L x 1.50"W x 0.77"D (8.89 cmL x 3.78 cmW x 1.96 cmD)	25
3ALADJLLND	10003504	3 Alarm Adjustable CableLok AM - 18" (45.75 cm)	Housing - 3.50"L x 1.50"W x 0.75"D (8.90 cmL x 3.80 cmW x 1.90 cmD)	25
3ALADJLLRF	10003503	3 Alarm Adjustable CableLok RF - 18" (45.75 cm)	Housing - 3.50"L x 1.50"W x 0.75"D (8.90 cmL x 3.80 cmW x 1.90 cmD)	25



2 adjustable cable lengths: 18" and 48"

Long lasting Lithium battery

Adjusts to fit tightly around custom merchandise, helps prevent twisting of cable



The 2 Alarm Adjustable CableLok utilizes proven existing CableLok technology and incorporates a sensor switch with strong adhesive. It will alarm if the cable is cut, if the cable is pulled from the sensor switch or if the sensor switch is pried from the merchandise.

**KEY FEATURES:**

- 7x7 strand aircraft grade cable
- 95 dBA alarm
- Flashing LED light
- Isolated sound chamber
- Easy to apply and remove
- Tough, secure and reusable
- Replaceable sensor pad

**SUGGESTED APPLICATIONS:**

- Cordless power hand tools with Lithium battery packs
- Display merchandise/fixtures
- Other applicable merchandise

ORDER CODE	SAP CODE	DESCRIPTION	EXTERNAL DIM. (L x W x D)	CARTON QTY.
2ALADJCLWSSND	10103196	2 Alarm Adjustable CableLok with Sensor Tip 18" Lanyard (45.72 cm) - AM	3.50"L x 1.49"W x 0.77"D (8.89 cmL x 3.78 cmW x 1.96 cmD)	25
2ALADJCLWSSRF	10103197	2 Alarm Adjustable CableLok with Sensor Tip 18" Lanyard (45.72 cm) - RF	3.50"L x 1.49"W x 0.77"D (8.89 cmL x 3.78 cmW x 1.96 cmD)	25
2ALADJCLWSSND-48	10104042	2 Alarm Adjustable CableLok with Sensor Tip 48" Lanyard (121.92 cm) - AM	3.50"L x 1.49"W x 0.77"D (8.89 cmL x 3.78 cmW x 1.96 cmD)	25

Continued on back ...

ORDER CODE	SAP CODE	DESCRIPTION	EXTERNAL DIM. (L x W x D)	CARTON QTY.
2ALADJCLWSSRF-48	10104043	2 Alarm Adjustable CableLok with Sensor Tip 48" Lanyard (121.92 cm) - RF	3.50"L x 1.49"W x 0.77"D (8.89 cmL x 3.78 cmW x 1.96 cmD)	25
RPLADHALCPAD-50	10103811	Adjustable CableLok Sensor Replacement Pad	0.60"L x 0.08"W x 1.45"D (1.50 cmL x 0.20 cmW x 3.70 cmD)	50

**A**lpha's robust line of Hard Tags provide unlimited options to protect your high-end fashion items securely and with versatility.

# HARD TAGS



HARD TAGS

# 2 & 3 Alarm® Hard Tags

ALPHA®  
High Theft Solutions



Flashing LED light

95 dBA alarm

Long lasting Lithium battery

Specifically designed to help you lose less and sell more, Alpha's 2 and 3 Alarm Hard Tags protect your high-end fashion items. The sleek, fashion-forward design compliments your high-end apparel while the unified look of the entire Hard Tag line provides merchandising continuity.

#### KEY FEATURES:

- 95 dBA alarm
- Flashing LED light
- Isolated sound chamber
- Easy to apply and remove
- Tough, secure and reusable

#### SUGGESTED APPLICATIONS:

Jeans  
Pants  
Jackets  
Suits  
Sweaters

#### 3 ALARM TECHNOLOGY:

EAS Protection: Activates EAS alarm if a breach occurs

Early Detection: Alarms when merchandise is tampered with in store

Extended Range: Self alarms if merchandise is removed from store



AM technology



RF technology



ORDER CODE	SAP CODE	DESCRIPTION	EXTERNAL DIM. (L x W x D)	CARTON QTY.
S3AL2TAGND	9285681	2 Alarm Hard Tag S3 - AM	2.68" L x 1.85" W x 0.82" D (6.80 cmL x 4.70 cmW x 2.08 cmD)	25
XTAL2TAGND	10102826	2 Alarm Hard Tag XT - AM	2.68" L x 1.85" W x 0.82" D (6.80 cmL x 4.70 cmW x 2.08 cmD)	25
XTAL2TAGRF	10102851	2 Alarm Hard Tag XT - RF	2.68" L x 1.85" W x 0.82" D (6.80 cmL x 4.70 cmW x 2.08 cmD)	25
S3AL3TAGND	10107178	3 Alarm Hard Tag S3 - AM	2.68" L x 1.62" W x 0.78" D (6.80 cmL x 4.10 cmW x 1.98 cmD)	25

Continued on back ...

alphaworld.com

©2014 Alpha High Theft Solutions. No endorsement of Alpha products has been made by any of the manufacturers of the products shown.

A DIVISION OF **Checkpoint**

ORDER CODE	SAP CODE	DESCRIPTION	EXTERNAL DIM. (L x W x D)	CARTON QTY.
AL3TAGBLND	10007698	3 Alarm Hard Tag XT - AM	2.68" L x 1.62" W x 0.78" D (6.80 cmL x 4.10 cmW x 1.98 cmD)	25
AL3P01	10003530	Pin	0.90" L x 0.75" Diameter (2.29 cmL x 1.91 cm Diameter)	50
ALPIN	9290012	Extreme Pin	0.90" L x 0.75" Diameter (2.29 cmL x 1.91 cm Diameter)	50

HARD TAGS

# 3 Alarm<sup>®</sup> Mini Hard Tag

ALPHA<sup>®</sup>  
High Theft Solutions

Incorporates Alpha's  
XT clutch for extreme  
performance

Long lasting  
Lithium battery

Small and petite in size



Flashing LED light

95 dBA alarm

Specifically designed to help you lose less and sell more, Alpha's 3 Alarm Mini Hard Tag protects your delicate apparel and high-end fashion items. Our sleek, fashion-forward design compliments your high-end apparel while the unified look of the entire Hard Tag line provides merchandising continuity.

#### KEY FEATURES:

- Strong XT clutch
- Isolated sound chamber
- Flashing LED light
- Easy to apply and remove
- Tough, secure and reusable
- Requires Super XT or Super Lock Detacher

#### SUGGESTED APPLICATIONS:

Jeans and pants  
Jackets  
Suits  
Sweaters  
Delicates

#### 3 ALARM TECHNOLOGY:

EAS Protection: Activates EAS alarm if a breach occurs

Early Detection: Alarms when merchandise is tampered with in store

Extended Range: Self alarms if merchandise is removed from store



ORDER CODE	SAP CODE	DESCRIPTION	EXTERNAL DIM. (L x W x D)	CARTON QTY.
AL3MINITAGBNDXT	9405960	3 Alarm Mini Hard Tag XT - AM	2.60" L x 1.18" W x 0.83" D (6.57 cmL x 3.00 cmW x 2.10 cmD)	25
AL3MINITAGRFX	9405962	3 Alarm Mini Hard Tag XT - RF	2.60" L x 1.18" W x 0.83" D (6.57 cmL x 3.00 cmW x 2.10 cmD)	25
AL3P02	9406293	Pin	0.84" L x 0.62" Diameter (2.13 cmL x 1.57 cm Diameter)	50



Band swivels to minimize defeat

Easy to apply and remove



Replaceable Band with Pin

Maximizes display opportunities

Our new Banded Hard Tag provides protection for items where a standard hard tag may not apply. Instead of two separate pieces, the pin is already attached to the tag making application quick and easy.

**KEY FEATURES:**

- Standard or Super clutch strengths
- Eliminates loose pins on the floor or left in merchandise creating a safer work environment
- More economical — no pins are lost during the recycle process
- Even if band is cut, pin will prevent removal of the tag from the item
- Replacement pins are available to extend the life of the tag

**SUGGESTED APPLICATIONS:**

- Shoes
- Apparel
- Intimates
- Zippered packages



ORDER CODE	SAP CODE	DESCRIPTION	EXTERNAL DIM. (L x W x D)	CARTON QTY.
STD-HT1383-BLK-AM	10109606	Standard Banded Hard Tag, Black - AM	1.78"L x 0.637"W x 0.844"D	250
STD-HT1383-BLK-RF	10109607	Standard Banded Hard Tag, Black - RF	(4.52 cmL x 1.62 cmW x 2.14 cmH)	250
SPR-HT1383-BLK-AM	10109608	Super Banded Hard Tag, Black - AM	1.78"L x 0.637"W x 0.844"D	250
SPR-HT1383-BLK-RF	10109609	Super Banded Hard Tag, Black - RF	(4.52 cmL x 1.62 cmW x 2.14 cmH)	250
HT1383-BLK-PIN	10110279	Spare Band & Pin	2.328"L x 0.695"W x 0.177"D (5.91 cmL x 1.76 cmW x 0.45 cmD)	25



AM technology



RF technology

Protect this year's hottest sunglasses and prescription eyewear with the Eyewear Tag. The Eyewear Tag provides durable construction with a protective cushion that securely holds and protects eyewear.

**KEY FEATURES:**

- Two sizes in RF technology
- Three sizes in AM technology
- Durable construction
- Easy to recycle and reuse
- Unobtrusive
- Requires Super XT Key or Multi-Detacher

**SUGGESTED APPLICATIONS:**

Prescription eyeglasses  
Sunglasses



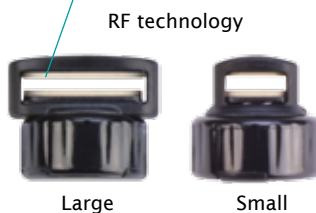
AM technology

Extra Large

Large

Small

Protective cushion that securely holds and protects merchandise



RF technology

Large

Small

ORDER CODE	SAP CODE	DESCRIPTION	EXTERNAL DIM. (L x W x D)	CARTON QTY.
EYBKSMRF	9411331	Eyewear Tag, Small - RF	1.00" L x 1.00" W x 1.00" D (2.54 cmL x 2.54 cmW x 2.54 cmD)	100
EYBKLGRF	9413114	Eyewear Tag, Large - RF	1.00" L x 1.18" W x 1.00" D (2.54 cmL x 3.00 cmW x 2.54 cmD)	100
EYBKSMND	9413115	Eyewear Tag, Small - AM	1.04" L x 1.85" W x 0.90" D (2.64 cmL x 4.70 cmW x 2.29 cmD)	100
EYBKLGND	9413116	Eyewear Tag, Large - AM	1.06" L x 1.85" W x 0.90" D (2.69 cmL x 4.70 cmW x 2.29 cmD)	100
EYBKXLND	10109311	Eyewear Tag, Extra Large - AM	1.18" L x 1.85" W x 0.93" D (3.00 cmL x 4.70 cmW x 2.36 cmD)	100

HARD TAGS

# Fashion3 Accessory Tag

**ALPHA**  
High Theft Solutions

Easy to apply and remove



Recommended pin:  
PINSWVL19

Tough, secure and  
reusable



Lanyard options:  
Transparent or black  
3", 6", 9", 12" or 15"



Maximizes display  
opportunities

Alpha's small and sleek Fashion3 Accessory Tag complements your high-end apparel. The tag's design provides merchandising continuity with the entire Hard Tag line.

#### KEY FEATURES:

- Standard Lock or Super Lock
- Tag can be used with pin or lanyard
- Easy to recycle and reuse
- Unobtrusive
- Two color options — beige or black

#### SUGGESTED APPLICATIONS:

- Shoes
- Hats
- Gloves
- Handbags
- Briefcases
- Luggage
- Jewelry
- Belts
- Watches
- Denim
- Sportswear



ORDER CODE	SAP CODE	DESCRIPTION	EXTERNAL DIM. (L x W x D)	WEIGHT	QTY.
STFASH3ACYHTBGND	10109192	Standard Fashion3 Accessory Tag Beige - AM	1.80" L x 0.49" W x 0.80" D	0.3 oz	250
STFASH3ACYHTBGRF	10109193	Standard Fashion3 Accessory Tag Beige - RF	(4.60 cmL x 1.20 cmW x 2.00 cmD)	9 grams	
STFASH3ACYHTBKND	10109196	Standard Fashion3 Accessory Tag Black - AM	1.80" L x 0.49" W x 0.80" D	0.3 oz	250
STFASH3ACYHTBKRF	10109197	Standard Fashion3 Accessory Tag Black - RF	(4.60 cmL x 1.20 cmW x 2.00 cmD)	9 grams	
SPFASH3ACYHTBGND	10109194	Super Fashion3 Accessory Tag Beige - AM	1.80" L x 0.49" W x 0.80" D	0.3 oz	250
SPFASH3ACYHTBGRF	10109195	Super Fashion3 Accessory Tag Beige - RF	(4.60 cmL x 1.20 cmW x 2.00 cmD)	9 grams	
SPFASH3ACYHTBKND	10109198	Super Fashion3 Accessory Tag Black - AM	1.80" L x 0.49" W x 0.80" D	0.3 oz	250
SPFASH3ACYHTBKRF	10109199	Super Fashion3 Accessory Tag Black - RF	(4.60 cmL x 1.20 cmW x 2.00 cmD)	9 grams	

Continued on back ...

**alphaworld.com**

©2014 Alpha High Theft Solutions. No endorsement of Alpha products has been made by any of the manufacturers of the products shown.

A DIVISION OF **Checkpoint**

ORDER CODE	SAP CODE	DESCRIPTION	LENGTH	CARTON QTY.
FASH2LNYRD3INTP	10009326	Fashion2 Accessory Lanyard 3" - Transparent	3.00" L (7.62 cmL)	250
FASH2LNYRD6INTP	10101406	Fashion2 Accessory Lanyard 6" - Transparent	6.00" L (15.24 cmL)	250
FASH2LNYRD48INTP	10009327	Fashion2 Accessory Lanyard 48" - Transparent	48.00" L (121.92 cmL)	250
PINSWVL16	9413653	Swivel Pin, Metal Flat Head, Serrated 5/8"	5/8" L (1.60 cmL)	250
PINSWVL19	9413652	Swivel Pin, Metal Flat Head, Serrated 3/4"	3/4" L (1.90 cmL)	250

RF technology — Beige



AM technology — Gray



Transparent round head pin



Tough, secure and reusable

Maximizes display opportunities

Perfect for a variety of apparel merchandise

Easy to apply and remove



The Ink Tag is perfect for a variety of apparel merchandise. If an item secured with an Ink Tag is stolen, the merchandise will be ruined when the thief tries to remove the Ink Tag, denying the thief the benefit of the product.

**KEY FEATURES:**

- S3, Standard or Super Lock clutch strengths
- Two color options — gray or beige
- Easy to recycle and reuse
- Unobtrusive
- Transparent round head pin

**SUGGESTED APPLICATIONS:**

Apparel



ORDER CODE	SAP CODE	DESCRIPTION	EXTERNAL DIM. (Diameter x Thickness)	CARTON QTY.
S3TAGINKGYND	9413651	S3 Ink Tag Round 2" Gray - AM	2.00" Diameter x 0.85" Thick (5.80 cm Diameter x 2.20 cm Thick)	250
S3TAGINKBGRF	9413650	S3 Ink Tag Round 2" Beige - RF	2.00" Diameter x 0.85" Thick (5.80 cm Diameter x 2.20 cm Thick)	250
STTAGINKGYND	9410970	Standard Ink Tag Round 2" Gray - AM	2.00" Diameter x 0.85" Thick (5.80 cm Diameter x 2.20 cm Thick)	250
STTAGINKBGRF	9410879	Standard Ink Tag Round 2" Beige - RF	2.00" Diameter x 0.85" Thick (5.80 cm Diameter x 2.20 cm Thick)	250
PINTRSP2INH	9410973	Pin 2" Transparent Round Head 1/2" Long	2.00" Diameter x 0.95" Thick (5.80 cm Diameter x 2.40 cm Thick)	250

HARD TAGS

# JewelLok™

ALPHA®  
High Theft Solutions



JewelLok for Loose Jewelry is also the perfect solution to protect a wide range of other merchandise.

**KEY FEATURES:**

- Smallest and lightest EAS tag on the market
- Versatile — protects a wide range of merchandise
- Hardened steel hook is coated in plastic to prevent scratching and is resistant to tampering

**SUGGESTED APPLICATIONS:**

- Jewelry
- Watches
- Shoes
- Intimates/swimwear
- Zippered merchandise
- Belts

Easy to apply and remove



## JewelLok™

ORDER CODE	SAP CODE	DESCRIPTION	EXTERNAL DIM. (L x H x D)	CARTON QTY.
JWNECK01ND	10100336	Loose Jewelry, Biege - AM	1.57"L x 0.63"H x 0.63"D	500
JWNECK01RF	10100426	Loose Jewelry, Biege - RF	(4.00 cmL x 1.60 cmH x 1.60 cmD)	500
JWNECKBLND100	10106151	Loose Jewelry, Black - AM	1.57"L x 0.63"H x 0.63"D	100
JWNECKBLRF100	10106150	Loose Jewelry, Black - RF	(4.00 cmL x 1.60 cmH x 1.60 cmD)	100

HARD TAGS

# Mag Tag™

ALPHA®  
High Theft Solutions

Pin will not damage delicate fabrics



Easy to apply and remove

Maximizes display opportunities

Light weight, unobtrusive design



Four lanyard lengths:  
2", 3", 9" and 21"



Alpha has a complete line of Hard Tags for your high theft merchandise. The Mag Tag is versatile and highly effective, securing everything from soft goods to clamshell packaged merchandise.

#### KEY FEATURES:

- Pin or lanyard (4 lengths)
- Pin will not damage delicate fabrics
- Lanyard fits through shoe eyelets and other small openings
- Easy to apply and remove
- Light weight and unobtrusive

#### SUGGESTED APPLICATIONS:

- Clothing
- Hats
- Zipper packaged items
- Lingerie
- Swimwear
- Shoes
- Eyewear
- Purses
- Belts
- Watches
- Saw blades
- Sporting goods

ORDER CODE	SAP CODE	DESCRIPTION	EXTERNAL DIM. (L x W x D)	CARTON QTY.
MAGTAGIIND	9261505	S3 Mag Tag - AM	1.19"L x 1.31"W x 0.72"D	100
MAGTAGIIRF	9261506	S3 Mag Tag - RF	(3.04 cmL x 3.32 cmW x 1.82 cmD)	100
MAGTAGSP	9169268	Mag Tag Pin - 0.69"	0.47"Dia x 0.63"L (1.19 cmDia x 1.60 cmL)	100
MAGTAGLP	9169269	Mag Tag Pin - 1.00"	0.47"Dia x 1.00"L (1.19 cmDia x 2.54 cmL)	100
MTAGL2ACCYND	9261513	Mag Accessory Tag, 2" Black Lanyard - AM	1.02"L x 1.25"W x 1.00"D (2.60 cmL x 3.20 cmW x 2.50 cmD)	100 100
MTAGACCYND-100	9261508	Mag Accessory Tag, 9" Black Lanyard - AM	1.02"L x 1.25"W x 1.00"D (2.60 cmL x 3.20 cmW x 2.50 cmD)	100 100
MTAGL21ACCYND	9261512	Mag Accessory Tag, 21" Black Lanyard - AM	1.02"L x 1.25"W x 1.00"D	100
MTAGL21ACCYRF	9236811	Mag Accessory Tag, 21" Black Lanyard - RF	(2.60 cmL x 3.20 cmW x 2.50 cmD)	100

Continued on back ...

ORDER CODE	SAP CODE	DESCRIPTION	EXTERNAL DIM. (L x W x D)	CARTON QTY.
MTAGL2SMACCYND	9296739	Mag Accessory Tag, 2" Clear Lanyard - AM	1.02"L x 1.25"W x 1.00"D (2.60 cmL x 3.20 cmW x 2.50 cmD)	100 100
MTAGL3SMACCYND	9289995	Mag Accessory Tag, 3" Clear Lanyard - AM	1.02"L x 1.25"W x 1.00"D (2.60 cmL x 3.20 cmW x 2.50 cmD)	100 100



HARD TAGS

# Multi-Tag™

ALPHA®  
High Theft Solutions

Durable construction with protective cushion that securely holds and protects merchandise

Easy to apply and remove



Maximizes display opportunities

The Multi-Tag provides durable construction with a protective cushion that securely holds and protects eyewear as well as a host of other hard-to-secure items.

#### KEY FEATURES:

- S3 clutch
- Tough, secure and reusable
- Easy to apply and remove

#### SUGGESTED APPLICATIONS:

Eyewear  
Watches  
Bracelets  
Necklaces  
Belts  
Apparel



ORDER CODE	SAP CODE	DESCRIPTION	EXTERNAL DIM. (L x W x D)	CARTON QTY.
S3OPTTAGND	10009510	S3 Multi-Tag Slate Gray - AM	1.34"L x 1.24"W x 0.95"D	100
S3OPTTAGRF	10009511	S3 Multi-Tag Slate Gray - RF	(6.80 cmL x 4.10 cmW x 1.98 cmD)	100
S3OPTP	10009414	S3 Multi-Tag Slate Gray Pin	0.90"L x 1.24"W x 0.54"D	100

**HARD TAGS**

# O-Tag™

**ALPHA**  
High Theft Solutions



Small O-Tag

Inner cushion protection



Large O-Tag

Easy to apply and remove

Maximizes display opportunities



Won't hinder product appearance



The O-Tag provides protection for uniquely-shaped merchandise while allowing safe customer interaction. It's perfect for golf clubs, baseball bats, corded electronics and much more. Its one-piece design provides ease of application and removal at checkout.

**KEY FEATURES:**

- Small and large
- Inner cushion protection
- Tough, secure and reusable

**SUGGESTED APPLICATIONS:**

Small: Golf clubs, fishing rods, electrical cords

Large: Baseball bats



ORDER CODE	SAP CODE	DESCRIPTION	EXTERNAL DIM. (L x W x D)	CARTON QTY.
S3GBGCT73ZRFL	10102264	Small O-Tag, 3/8" Diameter (9mm) - RF	2.35"L x 1.50"W x 1.10"D (5.96 cmL x 3.80 cmW x 2.80 cmD)	100
S3BT73ZNDL S3BT73ZRFL	9183104 10005494	Large O-Tag Gray, 1" Diameter (25.4mm) - AM Large O-Tag Gray, 1" Diameter (25.4mm) - RF	3.00"L x 2.30"W x 1.60"D (7.62 cmL x 5.85 cmW x 4.05 cmD)	100 100

Thin yet durable cable connects the module to the pin making for easy application and recycling



Extra-wide design accommodates dual rod peg hooks

Reinforced tab is strong enough to handle heavy merchandise

**Dual Rod Hang Tag**



**Single Rod Hang Tag**



The Single and Dual Rod Hang Tags are the perfect solution to effectively secure blister packages and clamshell-packaged merchandise. Alpha has a complete line of Hard Tags for your high-theft merchandise.

**KEY FEATURES:**

- Available in long and short pin styles
- Pins also sold separately as replaceable parts
- Tough, secure and reusable
- Easy to apply and remove

**SUGGESTED APPLICATIONS:**

- Clamshell packaged merchandise
- Blister packages



ORDER CODE	SAP CODE	DESCRIPTION	EXTERNAL DIM. (L x W x D)	CARTON QTY.
HTAGSRND	9406523	Single Rod Hang Tag - AM	1.91"L x 1.20"W x 0.66"D	100
HTAGSRRF	9288267	Single Rod Hang Tag - RF	(4.85 cmL x 3.05 cmW x 1.67 cmD)	100
HTAGNSP	9406525	Hang Tag Pin, Short - 0.50" (1.27 cm)	1.61"L x 0.75"W x 0.50"D	100
HTAGNLP	9406526	Hang Tag Pin, Long - 0.96" (2.44 cm)	(4.09 cmL x 1.91 cmW x 1.27 cmD)	100
			1.61"L x 0.75"W x 0.96"D	100
			(4.09 cmL x 1.91 cmW x 2.44 cmD)	

Continued on back ...

ORDER CODE	SAP CODE	DESCRIPTION	EXTERNAL DIM. (L x W x D)	CARTON QTY.
S3HTAGDRSPND S3HTAGDRSPRF	10109878 10109879	Dual Rod Hang Tag with Short Pin - AM Dual Rod Hang Tag with Short Pin - RF	1.69"L x 0.71"W x 1.92"D (4.30 cmL x 1.80 cmW x 4.90 cmD)	100 100
S3HTAGDRLPND S3HTAGDRLPRF	10109880 10109891	Dual Rod Hang Tag with Long Pin - AM Dual Rod Hang Tag with Long Pin - RF	1.69"L x 0.71"W x 1.92"D (4.30 cmL x 1.80 cmW x 4.90 cmD)	100 100
PIN1387-SHRT PIN1387-LONG	10110597 10110598	Spare Pin, Short Spare Pin, Long	0.50" (1.27 cm) 1.00" (2.54 cm)	50 50

HARD TAGS

# 3 Alarm® Thunder Tag™

ALPHA®  
High Theft Solutions



Textured button slides to arm and disarm the tag

Flashing LED provides strong visual deterrent



Loud 95 dBA alarm

Plunger detects tampering and triggers the alarm

Adhesive backing



Used in conjunction with a custom adhesive backing, Alpha's 3 Alarm Thunder Tag has been designed to provide retailers great flexibility with open merchandising their high-theft products.

#### KEY FEATURES:

- Used in tandem with custom adhesive widens the versatility of the tag
- 3 Alarm technology works with standard EAS gates as well as Alpha's NanoGate®
- Long lasting battery life
- 95 dBA alarm
- Flashing LED provides a strong visual deterrent
- Small profile, merchandises well on a wide range of products

#### SUGGESTED APPLICATIONS:

In-store tablet protection  
Display merchandise

#### 3 ALARM TECHNOLOGY:

EAS Protection: Activates EAS alarm if a breach occurs

Early Detection: Alarms when merchandise is tampered with in store

Extended Range: Self alarms if merchandise is removed from store

ORDER CODE	SAP CODE	DESCRIPTION	EXTERNAL DIM. (L x W x D)	CARTON QTY.
HT1388RF	10110768	S3 3 Alarm Thunder Tag, RF	1.88"L x 1.89"W x 0.5"D (4.78 cmL x 4.80 cmW x 1.27 cmD)	25
HT1388SP	10110764	Thunder Tag - Adhesive Backing	1.61"L x 1.73"W x 0.039"D (4.1 cmL x 4.4 cmW x 0.1 cmD)	50

HARD TAGS

# XT Fashion Tag

ALPHA<sup>®</sup>  
High Theft Solutions



Incorporates Alpha's XT clutch for extreme performance



Easy to apply and remove

The sleek and fashion-forward design of the XT Fashion Tag compliments your high-end apparel. It's the ideal combination of security and merchandising flexibility.

The high integrity ball clutch is tough to defeat — designed to perform under the most extreme environments to ensure your merchandise is secure, and you achieve your loss prevention objectives.

#### KEY FEATURES:

- XT clutch
- Requires Super XT or Super Lock Detachers
- Tough, secure and reusable

#### SUGGESTED APPLICATIONS:

Apparel

Maximizes display opportunities

Perfect for a variety of apparel merchandise



ORDER CODE	SAP CODE	DESCRIPTION	EXTERNAL DIM. (L x W x D)	CARTON QTY.
XT101ND	10007707	Fashion Tag XT - AM	2.68"L x 1.62"W x 0.78"D (6.80 cmL x 4.10 cmW x 1.98 cmD)	100
XT101RF	9289070	Fashion Tag XT - RF	2.68"L x 1.85"W x 0.82"D (6.80 cmL x 4.70 cmW x 2.08 cmD)	100
AL3P01	10003530	Pin	0.90"L x 0.75"Dia (2.29 cmL x 1.91 cmDia)	100

**W**ith more than 80 sizes to choose from, our tough, polycarbonate Keepers allow you to create attractive visual displays with confidence knowing your merchandise is well-protected.

# KEEPERS®



Strong visual deterrent

Hang Tab compatible



ACM202B

Clear sides provide excellent viewing of package and product information

Alpha S3 CD Keepers are part of the broadest and best line of Keepers in the world. The patented magnetic lock is ultra secure, but quick and easy to open which keeps checkout lines moving smoothly. For single and double CD or video game protection, check out the CD and Double CD Keepers.

**KEY FEATURES:**

- Hang Tab compatible
- Bar code readable
- Reusable and easy to use
- Keeps original package intact
- Easy to use & reuse
- Provides the security of locked cabinets with the benefits of open merchandising

**SUGGESTED APPLICATIONS:**

- CDs
- Video games

ORDER CODE	SAP CODE	DESCRIPTION	INTERNAL DIM. (H x W x D)	EXTERNAL DIM. (H x W x D)	CARTON QTY.
ACM202BNDL	9175124	1 Alarm CD Keeper	4.93"H x 5.63"W x 0.42"D	5.93"H x 5.99"W x 0.69"D	100
ACM202BRFL	9169212	1 Alarm CD Keeper	(12.80cmH x 14.30cmW x 1.30cmD)	(15.06cmH x 15.21cmW x 1.75cmD)	



KEEPERS

# Collapsible Keepers®

**ALPHA**  
High Theft Solutions



One of the newest to join our Keeper® line, our Collapsible Keepers are designed to protect small to medium-sized merchandise with great flexibility. The ability to raise and lower the Keeper optimizes shelf space and solves the need for managing fewer sizes of security devices. The products are protected but provided with the maximum of open display.

**KEY FEATURES:**

- Dual technology
- Integrated Hang Tab
- Available in four sizes
- Provides excellent security with open display of merchandise
- Allows the consumer to interface with the product and promotes browsing
- Re-useable and takes up less storage space

**SUGGESTED APPLICATIONS:**

- Fragrance
- Health & beauty
- Small packaged merchandise



ORDER CODE	SAP CODE	DESCRIPTION	INTERNAL DIM. (H x W x D)	EXTERNAL DIM. (H x W x D)	CRT. QTY.
S3COL101BNDRD-DT	10101461	Collapsible 101 Dual Technology	5.00-7.64"H x 3.13"W x 2.19"D (12.70-19.40cmH x 7.96cmW x 5.56cmD)	5.97-7.95"H x 3.72"W x 2.88"D (15.17-20.20cmH x 9.44cmW x 7.31cmD)	20
S3COL102BNDRD-DT	10101462	Collapsible 102 Dual Technology	4.25-6.14"H x 2.93"W x 2.70"D (10.80-15.60cmH x 7.43cmW x 6.86cmD)	5.22-6.46"H x 3.51"W x 3.39"D (13.27-16.40cmH x 8.91cmW x 8.61cmD)	20
S3COL103BNDRD-DT	10101463	Collapsible 103 Dual Technology	4.60-7.05"H x 3.99"W x 2.94"D (11.70-17.90cmH x 10.14cmW x 7.46cmD)	5.58-7.36"H x 4.57"W x 3.63"D (14.17-18.70cmH x 11.62cmW x 9.21cmD)	20
S3COL104BNDRD-DT	10101464	Collapsible 104 Dual Technology	2.75-3.65"H x 3.39"W x 3.35"D (7.00-9.26cmH x 8.61cmW x 8.51cmD)	3.61-4.29"H x 3.93"W x 3.70"D (9.17-10.90cmH x 9.98cmW x 9.40cmD)	20

KEEPERS

# DVD Keepers®

ALPHA®  
High Theft Solutions

Strong visual deterrent



Clear sides provide excellent viewing of package and product information

AVM556B



AVM555B



AVM476B



AVM602B

Alpha offers the broadest and best line of Keepers in the world. The patented magnetic lock is ultra secure, but quick and easy to open which keeps checkout lines moving smoothly. Whether it's today's hottest DVD, an expensive DVD gift set or Blu-ray formatted discs — protect them all with Alpha's security solutions.

**KEY FEATURES:**

- Hang Tab compatible
- Bar code readable
- Keeps original package intact
- Easy to use & reuse

**SUGGESTED APPLICATIONS:**

DVDs

Blu-rays

Video games

ORDER CODE	SAP CODE	DESCRIPTION	INTERNAL DIM. (H x W x D)	EXTERNAL DIM. (H x W x D)	CARTON QTY.
AVM476BND	9230109	Blu-ray Clamshell, AM	7.04"H x 5.35"W x 0.61"D	7.64"H x 5.70"W x 0.78"D	72
AVM476BRF	9230106	Blu-ray Clamshell, RF	(17.88cmH x 13.60cmW x 1.56cmD)	(19.40cmH x 14.49cmW x 1.99cmD)	72
AVM555BD	9261429	Single DVD Benefit Denial	7.54"H x 5.40"W x 0.62"D (19.15cmH x 13.71cmW x 1.57cmD)	8.29"H x 6.10"W x 1.19"D (21.06cmH x 15.50cmW x 3.02cmD)	72
AVM556BNDL	9408921	DVD Clamshell, AM	7.53"H x 5.58"W x 0.61"D	8.38"H x 5.95"W x 0.80"D	80
AVM556BRFL	9408773	DVD Clamshell, RF	(19.13cmH x 14.17cmW x 1.55cmD)	(21.29cmH x 15.11cmW x 2.03cmD)	80

Continued on back ...

ORDER CODE	SAP CODE	DESCRIPTION	INTERNAL DIM. (H x W x D)	EXTERNAL DIM. (H x W x D)	QTY.
AVM556BRFL-RHT	10107198	DVD Clamshell, Rigid Hang Tab, RF	7.53"H x 5.58"W x 0.61"D (19.13cmH x 14.17cmW x 1.55cmD)	8.38"H x 5.95"W x 0.80"D (21.29cmH x 15.11cmW x 2.03cmD)	80
AVM602BND	9210671	2 Pack DVD Clamshell, AM	7.70"H x 5.68"W x 1.38"D	8.81"H x 6.12"W x 1.62"D	20
AVM602BRF	9213660	2 Pack DVD Clamshell, RF	(19.56cmH x 14.43cmW x 3.51cmD)	(22.38cmH x 15.54cmW x 4.11cmD)	20
AVM603BND	9210673	3 Pack DVD Clamshell, AM	7.70"H x 5.68"W x 1.92"D	8.81"H x 6.12"W x 2.12"D	20
AVM603BRF	9213691	3 Pack DVD Clamshell, RF	(19.56cmH x 14.43cmW x 4.88cmD)	(22.38cmH x 15.54cmW x 5.38cmD)	20
AVM606B-DT	10111813	Multi-Pack DVDs Dual Technology	7.87"H x 5.93"W x 3.16"D (19.99cmH x 15.06cmW x 8.03cmD)	8.63"H x 6.10"W x 3.65"D (21.92cmH x 15.49cmW x 9.27cmD)	20



Clear sides provide excellent viewing of package and product information

Alpha offers a comprehensive line of video game and console Keepers designed to provide locking protection with great visual display. The patented magnetic lock is ultra secure but quick and easy to open which keeps checkout lines moving smoothly.

**KEY FEATURES:**

- Hang Tab compatible
- Bar code readable
- Keeps original package intact
- Easy to use & reuse

**SUGGESTED APPLICATIONS:**

- Video game consoles
- Video games
- DVDs
- Blu-rays
- Various electronics

Strong visual deterrent



AVM227B

AVM557B

ORDER CODE	SAP CODE	DESCRIPTION	INTERNAL DIM. (H x W x D)	EXTERNAL DIM. (H x W x D)	CARTON QTY.
AVM211GBNDL	9175202	Game Boy, AM	5.79"H x 5.09"W x 1.31"D	6.50"H x 5.35"W x 1.78"D	48
AVM211GBRFL	9169215	Game Boy, RF	(14.71cmH x 12.93cmW x 3.33cmD)	(16.51cmH x 13.59cmW x 4.55cmD)	48
AVM227BWND	9291450	Nintendo DS, AM	4.95"H x 5.43"W x 0.83"D	5.68"H x 5.75"W x 0.99"D	50
AVM227BWRF	9291501	Nintendo DS, RF	(12.56cmH x 13.78cmW x 2.10cmD)	(14.43cmH x 14.61cmW x 2.50cmD)	50
AVM312GBANDL	9175263	Game Boy Advance, AM	6.58"H x 5.32"W x 1.74"D	7.16"H x 5.58"W x 2.22"D	24
AVM312GBARFL	9175264	Game Boy Advance, RF	(16.71cmH x 13.51cmW x 4.42cmD)	(18.19cmH x 14.17cmW x 5.64cmD)	24

Continued on back ...

ORDER CODE	SAP CODE	DESCRIPTION	INTERNAL DIM. (H x W x D)	EXTERNAL DIM. (H x W x D)	QTY.
AVM456BNDL	9196428	Sony PSP/PSVITA, AM	7.03"H x 4.19"W x 0.61"D	7.95"H x 4.48"W x 0.77"D	50
AVM456BRFL	9196429	Sony PSP/PSVITA, RF	(17.85cmH x 10.64cmW x 1.54cmD)	(20.18cmH x 11.38cmW x 1.96cmD)	50
AVM557BND	9413629	Branding, No Plate, AM	8.66"H x 5.49"W x 0.83"D	9.88"H x 5.85"W x 1.06"D	50
			(22.00cmH x 13.95cmW x 2.10cmD)	(25.10cmH x 14.86cmW x 2.68cmD)	
AVM655BND	9401293	Console Keeper, AM	4.98"H x 10.12"W x 2.43"D	5.69"H x 10.32"W x 2.85"D	20
			(12.65cmH x 25.70cmW x 6.17cmD)	(14.45cmH x 26.21cmW x 7.24cmD)	20

**KEEPERS**

# Health & Beauty Keepers®

**ALPHA**  
High Theft Solutions

Hang Tab Compatible

Clear sides provide excellent viewing of package and product information



ACM488B

Strong visual deterrent



Security of locked cabinets with the benefits of open merchandising

Alpha offers the most comprehensive line of Keepers for high theft health & beauty merchandise. Alpha Keepers are the optimal choice in open display security with specifically designed options for high shrink items including razor blades, family planning and teeth whitening products.

**KEY FEATURES:**

- Bar code readable
- Keeps original package intact
- Easy to use & reuse

**SUGGESTED APPLICATIONS:**

- Beauty creams
- Teeth whitening
- Electric toothbrush refills
- Razor blades & handles
- Fragrance
- Family Planning
- Deodorant



ACM416B

ORDER CODE	SAP CODE	DESCRIPTION	INTERNAL DIM. (H x W x D)	EXTERNAL DIM. (H x W x D)	CARTON QTY.
AVM116BENDL	10005157	Health & Beauty #3-AM	3.25"H x 2.81"W x 2.81"D	4.10"H x 3.06"W x 3.31"D	20
AVM116BERFL	9192050	Health & Beauty #3-RF	(8.26cmH x 7.13cmW x 7.13cmD)	(10.41cmH x 7.77cmW x 8.40cmD)	20
ACM216BE-DT	10111815	Health & Beauty #2 Dual Technology	5.38"H x 3.56"W x 2.43"D (13.66cmH x 9.04cmW x 6.17cmD)	6.31"H x 3.87"W x 2.94"D (16.03cmH x 9.83cmW x 7.47cmD)	20
AVM226BE-DT	10111811	Health & Beauty #7 Dual Technology	5.50"H x 2.83"W x 1.96"D (13.97cmH x 7.18cmW x 4.97cmD)	6.43"H x 3.13"W x 2.50"D (16.33cmH x 7.95cmW x 6.35cmD)	20
AVM238BND	9292605	OralB 4 or 8 Pack - AM	8.65"H x 2.38"W x 1.36"D	9.00"H x 3.27"W x 1.50"D	50
AVM238BRF	9292606	OralB 4 or 8 Pack - RF	(21.97cmH x 6.05cmW x 3.45cmD)	(22.90cmH x 8.30cmW x 3.81cmD)	50

Continued on back ...

ORDER CODE	SAP CODE	DESCRIPTION	INTERNAL DIM. (H x W x D)	EXTERNAL DIM. (H x W x D)	CARTON QTY.
AVM239FP-DT	10111662	Health & Beauty Dual Techonology	2.75"H x 5.06"W x 1.60"D (7.01cmH x 14.24cmW x 4.06cmD)	3.42"H x 5.78"W x 2.00"D (8.77cmH x 14.69cmW x 5.08cmD)	24
ACM306BND ACM306BRFL	10006045 9172425	Razor Blades – AM Razor Blades – RF	4.46"H x 3.80"W x 0.75"D (11.33cmH x 9.65cmW x 1.91cmD)	5.16"H x 4.04"W x 1.20"D (13.11cmH x 10.26cmW x 3.05cmD)	40 40
ACM316BNDL ACM316BERFL	10005158 9192042	Health & Beauty #4-AM Health & Beauty #4-RF	4.44"H x 3.81"W x 0.98"D (11.27cmH x 9.67cmW x 2.48cmD)	5.18"H x 4.06"W x 1.50"D (13.16cmH x 10.31cmW x 3.81cmD)	20 20
ACM326BNDL ACM326BRFL	9192044 9192046	Small Ink – AM Small Ink – RF	6.49"H x 3.84"W x 2.03"D (16.47cmH x 9.75cmW x 5.15cmD)	7.36"H x 4.11"W x 2.58"D (18.67cmH x 10.42cmW x 6.54cmD)	24 24
ACM336BNDL ACM336BRFL	10005227 9172900	Small Package – AM Small Package – RF	4.91"H x 4.92"W x 1.96"D (12.47cmH x 12.50cmW x 4.99cmD)	5.66"H x 5.19"W x 2.42"D (14.38cmH x 13.18cmW x 6.15cmD)	40 40
ACM346B-DT	10110278	Health & Beauty Dual Technology	4.44"H x 4.17"W x 1.06"D 11.30cmH x 10.60cmW x 2.70cmD)	5.18"H x 4.39"W x 1.56"D (13.15cmH x 11.15cmW x 3.95cmD)	20
ACM347BND ACM347BRF	9281430 9281365	Venus Razor – AM Venus Razor – RF	3.71"H x 4.02"W x 1.90"D (9.45cmH x 10.20cmW x 4.84cmD)	4.41"H x 4.21"W x 2.29"D (11.21cmH x 10.20cmW x 4.84cmD)	20 20
ACM356BND ACM356BRF	9233202 9232443	Mach3 Razor 12 Pack-AM Mach3 Razor 12 Pack-RF	4.44"H x 4.17"W x 1.42"D (11.30cmH x 10.60cmW x 3.61cmD)	5.18"H x 4.39"W x 1.91"D (13.15cmH x 11.15cmW x 4.85cmD)	20 20
ACM388BND ACM388BRF	10100920 10100941	Razor 12 Pack – AM Razor 12 Pack – RF	4.45"H x 4.22"W x 2.35"D (11.30cmH x 10.72cmW x 5.97cmD)	5.16"H x 4.42"W x 2.67"D (13.10cmH x 11.20cmW x 6.80cmD)	20 20
AVM412B-DT	10111652	Health & Beauty #10 Dual Technology	7.90"H x 5.90"W x 2.37"D (20.07cmH x 14.99cmW x 6.02cmD)	8.75"H x 6.20"W x 2.92"D (22.23cmH x 15.75cmW x 7.42cmD)	20
ACM416BE-DT	10111824	Health & Beauty #1 Dual Technology	7.94"H x 3.93"W x 2.21"D (20.17cmH x 9.98cmW x 5.61cmD)	8.81"H x 4.10"W x 2.81"D (22.38cmH x 10.41cmW x 7.13cmD)	20
AVM426BNDL AVM426BERFL	9192093 9192095	Health & Beauty #5-AM Health & Beauty #5-RF	7.87"H x 2.83"W x 2.16"D (19.98cmH x 7.18cmW x 5.48cmD)	8.75"H x 3.13"W x 2.75"D (22.23cmH x 7.95cmW x 6.99cmD)	20 20
AVM446BNDL AVM446BERFL	9192097 9192099	Health & Beauty #6-AM Health & Beauty #6-RF	6.69"H x 2.83"W x 1.37"D (16.99cmH x 7.18cmW x 3.47cmD)	7.56"H x 3.13"W x 1.94"D (19.20cmH x 7.95cmW x 4.93cmD)	20 20
ACM450B-DT	10109593	Health & Beauty #12 Dual Technology	10.50"H x 3.88"W x 3.13"D (26.67cmH x 9.86cmW x 7.95cmD)	11.25"H x 4.08"W x 3.34"D (28.58cmH x 10.26cmW x 8.48cmD)	16
ACM452BND ACM452BRF	10110705 10110708	Deodorant, Small – AM Deodorant, Small – RF	4.75"H x 2.00"W x 2.00"D (12.06cmH x 5.08cmW x 5.08cmD)	5.75"H x 2.25"W x 2.25"D (14.61cmH x 5.72cmW x 5.72cmD)	20 20
ACM453BND ACM453BRF	10110717 10110715	Deodorant, Medium-AM Deodorant, Medium-RF	6.25"H x 2.00"W x 2.00"D (15.88cmH x 5.08cmW x 5.08cmD)	7.25"H x 2.25"W x 2.25"D (18.42cmH x 5.72cmW x 5.72cmD)	20 20
ACM454BND ACM454BRF	10110719 10110723	Deodorant, Large – AM Deodorant, Large – RF	9.25"H x 2.00"W x 2.00"D (23.50cmH x 5.08cmW x 5.08cmD)	10.25"H x 2.25"W x 2.25"D (26.04cmH x 5.72cmW x 5.72cmD)	20 20
AVM466BNDL AVM466BRFL	9230344 9231601	Health & Beauty #9-AM Health & Beauty #9-RF	9.35"H x 2.84"W x 2.45"D (23.75cmH x 7.21cmW x 6.22cmD)	10.20"H x 3.15"W x 3.02"D (25.91cmH x 8.00cmW x 7.67cmD)	20 20
ACM488B-DT	10108228	Health & Beauty #11 Dual Technology	5.79"H x 5.51"W x 1.89"D (14.70cmH x 14.0cmW x 4.80cmD)	6.50"H x 5.71"W x 2.40"D (16.50cmH x 14.50cmW x 6.0cmD)	20

KEEPERS

# Infant Formula/Multi-use Keepers®

ALPHA®  
High Theft Solutions

Strong visual deterrent

Designed for easy stackability

Fits most cylindrical infant formula manufacturers' products — from small to large canisters

Clear sides provide excellent viewing of package and product information

Provides the security of locked cabinets with the benefits of open merchandising



S31FMB

This assortment of Keepers allows retailers the convenience of choosing the best fit for their high-theft merchandise. The patented magnetic lock is ultra secure, but quick and easy to open which keeps checkout lines moving smoothly.

**KEY FEATURES:**

- Bar code readable
- Keeps original package intact
- Easy to use & reuse

**SUGGESTED APPLICATIONS:**

- Small infant formula cans
- Medium infant formula cans
- Large infant formula cans
- Rectangular infant formula
- Coffee canisters
- Yankee Candles®



AVM685B

S31F

S31FMB

S31FST



AVM680BA

ORDER CODE	SAP CODE	DESCRIPTION	INTERNAL DIM. (H x Dia.)	EXTERNAL DIM. (H x Dia.)	CARTON QTY.
S31FNDL	9261542	Infant Formula, Small, AM	5.02"H x 4.08"Dia.	6.00"H x 4.55"Dia.	12
S31FRFL	9261543	Infant Formula, Small, RF	(12.75cmH x 10.38cmDia.)	(15.24cmH x 11.56cmDia.)	12
S31FSTNDRF	10105289	Infant Formula, Small-Medium Dual Technology	5.80"H x 4.08"Dia.	8.33"H x 5.80"Dia.	12
S31FMBND	10006404	Infant Formula, Medium-Large, AM	7.16"H x 5.30"Dia.	8.33"H x 5.80"Dia.	12
S31FMBRF	10006405	Infant Formula, Medium-Large, RF	(18.19cmH x 13.46cmDia.)	(21.16cmH x 14.73cmDia.)	12

Continued on back ...



ORDER CODE	SAP CODE	DESCRIPTION	INTERNAL DIM. (H x W x D)	EXTERNAL DIM. (H x W x D)	CARTON QTY.
AVM680BND	9411276	Multi-Use, AM	5.80"H x 6.79"W x 4.45"D	6.50"H x 7.07"W x 4.75"D	16
AVM680BRF	9411277	Multi-Use, RF	(14.72cmH x 17.25cmW x 11.31cmD)	(16.52cmH x 17.98cmW x 12.05cmD)	16
AVM685BNDRF	10105303	Multi-Use, Dual Technology	7.87"H x 5.23"W x 4.65"D	8.97"H x 5.51"W x 5.19"D	12
			(19.98cmH x 13.28cmW x 11.81cmD)	(22.78cmH x 13.99cmW x 13.18cmD)	

**KEEPERS**

# Multi-Use Keepers®

**ALPHA**  
High Theft Solutions

SwivelTab™ and Hang Tab Compatible



AVM966B

Clear sides provides excellent viewing of package and product information — bar code readable



AVM806B

Strong visual deterrent



AVM406B

Alpha's Keepers offer maximum versatility to display a wide variety of merchandise openly and still control your losses. Our Multi-Use Keepers come in more than 14 sizes and multiple security level options. Whether you need to protect something small, like batteries, or something large, like infant formula, we have a size to fit your needs.

**KEY FEATURES:**

- Swivel Tab and Hang Tab compatible
- Keeps original package intact
- Easy to use & reuse

**SUGGESTED APPLICATIONS:**

- Batteries
- Electronics
- Health & beauty
- Cigarettes
- Memory cards
- Ink
- Headphones
- Tablets, Netbooks, etc.

ORDER CODE	SAP CODE	DESCRIPTION	INTERNAL DIM. (H x W x D)	EXTERNAL DIM. (H x W x D)	CARTON QTY.
AVM106BNDL	10003837	Battery, AM	2.60"H x 3.80"W x 0.75"D	3.33"H x 4.03"W x 1.22"D	48
AVM106BRFL	9169211	Battery, RF	(6.60cmH x 9.65cmW x 1.91 cmD)	(8.46cmH x 10.23cmW x 3.10cmD)	48
AVM206BNDL	9182986	Film, AM	2.69"H x 3.80"W x 1.52"D	3.37"H x 4.02"W x 1.99"D	48
AVM206BRFL	9169214	Film, RF	(6.68cmH x 9.65cmW x 3.86cmD)	(8.56cmH x 10.21cmW x 5.05cmD)	48
AVM396BND	9261423	HP Combo Ink, AM	4.95"H x 4.96"W x 2.66"D	5.65"H x 5.17"W x 3.07"D	20
			(12.57cmH x 12.60cmW x 6.76cmD)	(14.36cmH x 13.13cmW x 7.80cmD)	

Continued on back ...

ORDER CODE	SAP CODE	DESCRIPTION	INTERNAL DIM. (H x W x D)	EXTERNAL DIM. (H x W x D)	CARTON QTY.
AVM406B-DT	10111812	Multi-Use Dual Technology	7.19"H x 5.05"W x 01.28"D (18.26cmH x 12.83cmW x 3.25cmD)	7.93"H x 5.33"W x 1.80"D (20.14cmH x 13.54cmW x 4.57cmD)	25
ACM436BNDL	9179462	Twin Ink, AM	4.96"H x 7.84"W x 1.97"D (12.60cmH x 19.91cmW x 5.00cmD)	5.67"H x 8.07"W x 2.44"D (14.40cmH x 20.50cmW x 6.20cmD)	20
AVM680BND AVM680BRF	9411276 9411277	Multi-Use, AM Multi-Use, RF	5.80"H x 6.79"W x 4.45"D (14.72cmH x 17.25cmW x 11.31cmD)	6.50"H x 7.07"W x 4.75"D (16.52cmH x 17.95cmW x 12.05cmD)	16 16
AVM685BNDRF	10105303	Multi-Use Dual Technology	7.87"H x 5.23"W x 4.65"D (19.98cmH x 13.28cmW x 11.81cmD)	8.97"H x 5.51"W x 5.19"D (22.78cmH x 13.99cmW x 13.18cmD)	12
AVM706BNDL AVM706BRFL	9175129 9169225	Multi-Use, AM Multi-Use, RF	8.69"H x 5.49"W x 1.48"D (22.07cmH x 13.94cmW x 3.76cmD)	9.42"H x 5.79"W x 2.02"D (24.28cmH x 14.70cmW x 5.10cmD)	25 25
AVM776B-DT	10111658	Multi-Use Dual Technology	6.38"H x 6.50"W x 6.50"D (16.21cmH x 16.51cmW x 16.51cmD)	7.24"H x 6.78"W x 7.00"D (18.39cmH x 17.22cmW x 17.78cmD)	25
AVM806B-DT	10111834	Multi-Use Dual Technology	10.25"H x 8.96"W x 2.72"D (26.04cmH x 22.76cmW x 6.91cmD)	11.09"H x 9.35"W x 3.30"D (28.17cmH x 23.75cmW x 8.38cmD)	12
AVM906B-DT	10111654	Multi-Use Dual Technology	11.71"H x 9.71"W x 3.09"D (29.74cmH x 24.66cmW x 7.85cmD)	12.60"H x 10.13"W x 3.73"D (32.00cmH x 25.73cmW x 9.47cmD)	8
AVM966B-DT	10111656	Multi-Use Dual Technology	10.80"H x 8.90"W x 5.40"D (27.43cmH x 22.61cmW x 13.72cmD)	11.65"H x 9.26"W x 6.00"D (29.60cmH x 23.52cmW x 15.24cmD)	6
AVM979B-DT	10101445	Multi-Use Dual Technology	10.91"H x 8.23"W x 6.57"D (27.72cmH x 20.90cmW x 16.70cmD)	11.64"H x 8.63"W x 7.04"D (29.57cmH x 21.92cmW x 17.89cmD)	6

KEEPERS

# Razor Keepers®

**ALPHA**  
High Theft Solutions

Hang Tab compatible



Clear sides provide excellent viewing of package and product information

3S3356B

Flashing LED light provides a strong visual deterrent (3 Alarm)



Alpha S3 Keepers are part of the broadest and best line of Keepers in the world. The patented magnetic lock is ultra secure, but quick and easy to open. Use Razor Keepers to protect and display today's most popular merchandise.

**KEY FEATURES:**

- Hang Tab compatible
- Bar code readable
- Keeps original package intact
- Easy to use & reuse

**SUGGESTED APPLICATIONS:**

Razor cartridges  
Health & beauty

**3 ALARM TECHNOLOGY:**

EAS Protection: Activates EAS alarm if a breach occurs

Early Detection: Alarms when merchandise is tampered with in store

Extended Range: Self alarms if merchandise is removed from store



ACM348B

ORDER CODE	SAP CODE	DESCRIPTION	INTERNAL DIM. (H x W x D)	EXTERNAL DIM. (H x W x D)	CARTON QTY.
ACM306BND	10006045	Razor Blades, AM	4.46"H x 3.80"W x 0.75"D	5.16"H x 4.04"W x 1.20"D	40
ACM306BRF	9172425	Razor Blades, RF	(11.33cmH x 9.65cmW x 1.91cmD)	(13.11cmH x 10.26cmW x 3.05cmD)	40
ACM346B-DT	10110278	Gillette Fusion Dual Technology	4.44"H x 4.17"W x 1.06"D	5.18"H x 4.39"W x 1.56"D	20
			(11.30cmH x 10.60cmW x 2.70cmD)	(13.15cmH x 11.15cmW x 3.95cmD)	
ACM347BND	9281430	Venus Razor, AM	3.71"H x 4.02"W x 1.90"D	4.41"H x 4.21"W x 2.29"D	20
ACM347BRF	9281365	Venus Razor, RF	(9.45cmH x 10.20cmW x 4.84cmD)	(11.21cmH x 10.20cmW x 4.84cmD)	20

Continued on back ...

ORDER CODE	SAP CODE	DESCRIPTION	INTERNAL DIM. (H x W x D)	EXTERNAL DIM. (H x W x D)	CARTON QTY.
ACM348BND ACM348BRF	9405661 9405662	Multi-Pack Razors – AM Multi-Pack Razors – RF	8.50"H x 7.50"W x 0.90"D (21.59cmH x 19.05cmW x 2.29cmD)	8.80"H x 8.40"W x 1.20"D (22.35cmH x 21.34cmW x 3.05cmD)	20 20
ACM356BND ACM356BRF	9233202 9232443	Mach3 Razor 12 Pack-AM Mach3 Razor 12 Pack-RF	4.44"H x 4.17"W x 1.42"D (11.30cmH x 10.60cmW x 3.61cmD)	5.18"H x 4.39"W x 1.91"D (13.15cmH x 11.15cmW x 4.85cmD)	20 20
3S3356BRF	9406276	3 Alarm Razor 12 Pack-RF	4.44"H x 4.17"W x 1.42"D (11.30cmH x 10.60cmW x 3.61cmD)	5.18"H x 4.39"W x 1.91"D (13.15cmH x 11.15cmW x 4.85cmD)	20
ACM388BND ACM388BRF	10100920 10100941	Razor 12 Pack – AM Razor 12 Pack – RF	4.45"H x 4.22"W x 2.35"D (11.30cmH x 10.72cmW x 5.97cmD)	5.16"H x 4.42"W x 2.67"D (13.10cmH x 11.20cmW x 6.80cmD)	20 20
3S3388BRF	10104047	3 Alarm, Razor 12 Pack-RF	4.45"H x 4.22"W x 2.35"D (11.30cmH x 10.72cmW x 5.97cmD)	5.16"H x 4.42"W x 2.67"D (13.10cmH x 11.20cmW x 6.80cmD)	20
ACM416BE-DT	10005152	Health & Beauty #1 Dual Technology	7.94"H x 3.93"W x 2.21"D (20.17cmH x 9.98cmW x 5.61cmD)	8.81"H x 4.10"W x 2.81"D (22.38cmH x 10.41cmW x 7.13cmD)	20

Rounded edges provide a softer appearance and improved aesthetics



Clear sides provide excellent viewing of package and product information

Tiered pedestal base provides a more fashion-forward aesthetic

S3HB108



Alpha's Showcase Keepers are designed to make your fragrance and health & beauty merchandise the star. Softer corners and a stylish pedestal guarantee that merchandise is prominently displayed and highly secure.

**KEY FEATURES:**

- Available in nine sizes
- Rounded edges
- Tiered pedestal base
- Keeps original package intact
- Easy to use & reuse
- Provides the security of locked cabinets with the benefits of open merchandising

**SUGGESTED APPLICATIONS:**

- Fragrance
- Health & beauty
- High-end boxed jewelry



S3HB105

ORDER CODE	SAP CODE	DESCRIPTION	INTERNAL DIM. (H x W x D)	EXTERNAL DIM. (H x W x D)	CARTON QTY.
S3HB101ND	9238557	Showcase 101 - AM	5.79"H x 3.06"W x 2.06"D	6.56"H x 3.44"W x 2.55"D	20
S3HB101RF	9238558	Showcase 101 - RF	(14.70cmH x 7.77cmW x 5.23cmD)	(16.67cmH x 8.74cmW x 6.47cmD)	20
S3HB102ND	9238559	Showcase 102 - AM	7.78"H x 3.06"W x 2.06"D	8.56"H x 3.44"W x 2.55"D	20
S3HB102RF	9238560	Showcase 102 - RF	(19.70cmH x 7.77cmW x 5.23cmD)	(21.75cmH x 8.74cmW x 6.47cmD)	20

Continued on back ...

ORDER CODE	SAP CODE	DESCRIPTION	INTERNAL DIM. (H x W x D)	EXTERNAL DIM. (H x W x D)	CARTON QTY.
S3HB103ND S3HB103RF	9238631 9238632	Showcase 103 - AM Showcase 103 - RF	5.04"H x 2.80"W x 2.54"D (12.79cmH x 7.10cmW x 6.46cmD)	5.79"H x 3.24"W x 3.03"D (14.70cmH x 8.23cmW x 7.70cmD)	20 20
S3HB104ND S3HB104RF	9238633 9238634	Showcase 104 - AM Showcase 104 - RF	6.54"H x 2.80"W x 2.54"D (16.60cmH x 7.10cmW x 6.46cmD)	7.31"H x 3.24"W x 3.03"D (18.58cmH x 8.23cmW x 7.70cmD)	20 20
S3HB105ND S3HB105RF	9238635 9238636	Showcase 105 - AM Showcase 105 - RF	5.54"H x 3.80"W x 2.80"D (14.06cmH x 6.60cmW x 7.12cmD)	6.31"H x 4.30"W x 3.29"D (16.04cmH x 10.91cmW x 8.36cmD)	20 20
S3HB106ND S3HB106RF	9238637 9238638	Showcase 106 - AM Showcase 106 - RF	7.28"H x 3.80"W x 2.80"D (18.50cmH x 9.66cmW x 7.12cmD)	8.06"H x 4.30"W x 3.29"D (20.48cmH x 10.91cmW x 8.36cmD)	20 20
S3HB107ND S3HB107RF	9238639 9238640	Showcase 107 - AM Showcase 107 - RF	5.98"H x 4.79"W x 3.04"D (15.20cmH x 12.16cmW x 7.71cmD)	6.76"H x 5.32"W x 3.52"D (17.18cmH x 13.52cmW x 8.95cmD)	20 20
S3HB108ND S3HB108ND	9414087 9414088	Showcase 108 - AM Showcase 108 - RF	5.34"H x 5.35"W x 5.35"D (13.57cmH x 13.60cmW x 13.60cmD)	6.11"H x 6.50"W x 5.82"D (15.52cmH x 16.51cmW x 14.78cmD)	10 10
S3HB109NDRF-DT	10103800	Showcase 109 Dual Technology	4.72"H x 3.62"W x 4.00"D (12.00cmH x 9.20cmW x 10.10cmD)	5.71"H x 4.65"W x 4.41"D (14.50cmH x 11.80cmW x 11.20cmD)	20

KEEPERS

# Anti-crazing Showcase Keepers®

ALPHA®  
High Theft Solutions

Rounded edges provide a softer appearance and improved aesthetics

Enhanced material prevents crazing

Clear sides provide excellent viewing of package and product information

Tiered pedestal base provides a more fashion-forward aesthetic



S3HB108CR



Alpha's Anti-crazing Showcase Keepers are designed to protect against crazing in fragrance tester environments. They also prevent crazing on the inside of the Keeper where fragrance may out-gas, all while making your fragrance the star. Softer corners and a stylish pedestal guarantee that merchandise is prominently displayed and highly secure.

**KEY FEATURES:**

- Available in nine sizes
- Enhanced material prevents crazing
- Rounded edges
- Tiered pedestal base
- Keeps original package intact
- Easy to use & reuse
- Provides the security of locked cabinets with the benefits of open merchandising

**SUGGESTED APPLICATIONS:**

Fragrance  
Health & beauty



S3HB101CR

ORDER CODE	SAP CODE	DESCRIPTION	INTERNAL DIM. (H x W x D)	EXTERNAL DIM. (H x W x D)	CARTON QTY.
S3HB101CRND	9298392	Anti-crazing 101 - AM	5.79"H x 3.06"W x 2.06"D	6.56"H x 3.44"W x 2.55"D	20
S3HB101CRRF	9298393	Anti-crazing 101 - RF	(14.70cmH x 7.77cmW x 5.23cmD)	(16.67cmH x 8.74cmW x 6.47cmD)	20
S3HB102CRND	9298394	Anti-crazing 102 - AM	7.78"H x 3.06"W x 2.06"D	8.56"H x 3.44"W x 2.55"D	20
S3HB102CRRF	9298395	Anti-crazing 102 - RF	(19.70cmH x 7.77cmW x 5.23cmD)	(21.75cmH x 8.74cmW x 6.47cmD)	20

Continued on back ...



ORDER CODE	SAP CODE	DESCRIPTION	INTERNAL DIM. (H x W x D)	EXTERNAL DIM. (H x W x D)	CARTON QTY.
S3HB103CRND S3HB103CRRF	9298396 9298397	Anti-crazing 103 - AM Anti-crazing 103 - RF	5.04"H x 2.80"W x 2.54"D (12.79cmH x 7.10cmW x 6.46cmD)	5.79"H x 3.24"W x 3.03"D (14.70cmH x 8.23cmW x 7.70cmD)	20 20
S3HB104CRND S3HB104CRRF	9298399 9298400	Anti-crazing 104 - AM Anti-crazing 104 - RF	6.54"H x 2.80"W x 2.54"D (16.60cmH x 7.10cmW x 6.46cmD)	7.31"H x 3.24"W x 3.03"D (18.58cmH x 8.23cmW x 7.70cmD)	20 20
S3HB105CRND S3HB105CRRF	9298411 9298412	Anti-crazing 105 - AM Anti-crazing 105 - RF	5.54"H x 3.80"W x 2.80"D (14.06cmH x 6.60cmW x 7.12cmD)	6.31"H x 4.30"W x 3.29"D (16.04cmH x 10.91cmW x 8.36cmD)	20 20
S3HB106CRND S3HB106CRRF	9298413 9298417	Anti-crazing 106 - AM Anti-crazing 106 - RF	7.28"H x 3.80"W x 2.80"D (18.50cmH x 9.66cmW x 7.12cmD)	8.06"H x 4.30"W x 3.29"D (20.48cmH x 10.91cmW x 8.36cmD)	20 20
S3HB107CRND S3HB107CRRF	9298414 9298416	Anti-crazing 107 - AM Anti-crazing 107 - RF	5.98"H x 4.79"W x 3.04"D (15.20cmH x 12.16cmW x 7.71cmD)	6.76"H x 5.32"W x 3.52"D (17.18cmH x 13.52cmW x 8.95cmD)	20 20
S3HB108CRND S3HB108CRND	9414089 9414090	Anti-crazing 108 - AM Anti-crazing 108 - RF	5.34"H x 5.35"W x 5.35"D (13.57cmH x 13.60cmW x 13.60cmD)	6.11"H x 6.50"W x 5.82"D (15.52cmH x 16.51cmW x 14.78cmD)	10 10
S3HB109CRNDRF	10105286	Anti-crazing 109 Dual Technology	4.72"H x 3.62"W x 4.00"D (12.00cmH x 9.20cmW x 10.10cmD)	5.71"H x 4.65"W x 4.41"D (14.50cmH x 11.80cmW x 11.20cmD)	20

**KEEPERS**

# Stomach Ailment Keepers®

**ALPHA**  
High Theft Solutions

Security of locked cabinets with the benefits of open merchandising

Hang Tab compatible



Clear sides provide excellent viewing of package and product information

ACM480B



Reusable and easy to use

The Alpha Stomach Ailment Keepers are part of the broadest and best line of Keepers in the world. The patented magnetic lock is ultra secure, but quick and easy to open which keeps checkout lines moving smoothly.

**KEY FEATURES:**

- Hang Tab compatible
- Bar code readable
- Keeps original package intact
- Easy to use & reuse

**SUGGESTED APPLICATIONS:**

- Prilosec OTC®
- Prevacid®
- Zegerid OTC®
- Small packaged merchandise



ORDER CODE	SAP CODE	DESCRIPTION	INTERNAL DIM. (H x W x D)	EXTERNAL DIM. (H x W x D)	CARTON QTY.
ACM480BND	9409118	Stomach Ailment Keeper - AM	3.82"H x 4.92"W x 2.02"D	4.51"H x 5.19"W x 2.44"D	12
ACM480BRF	9409119	Stomach Ailment Keeper - RF	(9.70cmH x 12.50cmW x 5.12cmD)	(11.45cmH x 13.17cmW x 6.20cmD)	12
ACM481BND	7949130	Stomach Ailment Keeper - AM	3.82"H x 4.92"W x 2.70"D	4.51"H x 5.19"W x 3.09"D	12
ACM481BRF	7949131	Stomach Ailment Keeper - RF	(9.70cmH x 12.50cmW x 6.78cmD)	(11.45cmH x 13.17cmW x 7.85cmD)	12

**O**ur Keys are ergonomic, versatile and easy to use, providing you with the perfect detacher solution for any of our products.

# KEYS





Standard Lock Detaching Locator

Open position



Can be locked when not in use



Barrel Keys for Locking (AF3303)



Closed position

In addition to the ergonomics and the S3 magnet set of the S3™ HandKey, the Multi-Detacher Counter Key also boasts a Standard Lock magnet to widen its versatility. This secure, one-key solution will unlock the entire line of Alpha S3 solutions as well as select Standard Lock solutions.

**KEY FEATURES:**

- Serial number provides added security
- 60" lanyard
- Locks when not in use
- S3 magnet
- Standard Lock magnet

ORDER CODE	SAP CODE	DESCRIPTION	EXTERNAL DIM. (L x W x H)	CARTON QTY.
S3MDKEYST	9414839	Multi-Detacher Counter Key Non Alarming	5.75"L x 1.75"W x 1.75"H (14.61cmL x 4.45cmW x 4.45cmH)	1
AF3303	9283051	Barrel Keys, 2 Pack		2

S3 HandKey and Lanyard  
(S3HKCL)S3 HandKey and Dock  
(S3HKSLKD)S3 Locking Counter Key  
(S3KEY)S3 Locking Alarming Counter Key  
(S3AKEY)

Alpha S3 HandKeys offer superior aesthetics, ergonomic improvements and ease of use, with the trusted level of security you have come to expect. Serial numbers provide added security. The S3 HandKeys will open the entire line of S3 products.

**KEY FEATURES:**

The patented Alpha S3 HandKey is available in four configurations:

- **Standard S3 HandKey** is equipped with a 60" coiled lanyard that bolts directly into the POS and provide easy access and manageability
- **S3 HandKey and Dock** comes with a convenient dock that is attached at the POS for storage when not in use
- **S3 Locking Counter Key** has the same specialized magnet array with in an ergonomic handset that fits into a locking cradle for added security
- The **S3 Locking Alarming Counter Key** has a 95 dBA alarm that will signal when the lanyard has been compromised

Barrel Keys for Locking Keys  
(AF3303)

ORDER CODE	SAP CODE	DESCRIPTION	EXTERNAL DIM. (L x W x H)	CARTON QTY.
S3HKSLKDND	10006401	S3 HandKey and Key Dock, AM	4.65"L x 0.85"W x 0.50"H	1
S3HKSLKDRF	10006402	S3 HandKey and Key Dock, RF	(11.81cmL x 2.16cmW x 1.27cmH)	1
S3HKCLND	10006398	S3 HandKey and 60" Lanyard, AM	4.50"L x 1.00"W x 0.75"H	1
S3HKCLRF	10006399	S3 HandKey and 60" Lanyard, RF	(11.43cmL x 2.15cmW x 1.91cmH)	1
S3KEY	10006347	S3 Locking Counter Key	5.75"L x 1.75"W x 1.75"H	1
			(14.61cmL x 4.45cmW x 4.45cmH)	
S3AKEY	9286317	S3 Locking Alarming Counter Key	5.75"L x 1.75"W x 1.75"H	1
			(14.61cmL x 4.45cmW x 4.45cmH)	
AF3303	9283051	Barrel Keys, 2 Pack		2

S3 Detaching Locators



Open position



Closed position

The strongest detacher in the Alpha portfolio, the Super XT Key does it all. Its durable surface unlocks the entire line of S3, Standard Lock, XT and Super XT products. The deployable handheld portion is attached to the mounted base with a robust 60" cable to keep the key secure while maintaining its flexibility.

When using the Super XT Key to remove JewelLok solutions, where the merchandise is more delicate, add the JewelLok Super XT Coverplate. Installation and removal of this durable accessory is easy — slide on or snap over the Super XT Key. An attached lanyard keeps the coverplate nearby when not in use.

**KEY FEATURES:**

- Serial number provides added security
- 60" cable lanyard

Barrel Keys for Locking  
(AF3303)

ORDER CODE	SAP CODE	DESCRIPTION	EXTERNAL DIM. (L x W x H)	CARTON QTY.
SUPERXTKEY-S-60IN	10007503	Super XT Key, Silver 60 Inch Lanyard	4.50"L x 2.50"W x 1.50"H (11.43cmL x 6.35cmW x 3.81cmH)	1
AF3303	9283051	Barrel Keys, 2 Pack		2

KEYS

# Super XT™ Key Coverplate

**ALPHA**  
High Theft Solutions

Includes a Super XT magnet

Locking mechanism adds security and prevents usage of the Key when POS is unattended



Minimizes POS counter space

Attaches to the Sensormatic  
AMD3050 Super Tag Detacher

Designed to integrate seamlessly with Sensormatic's Super Tag Detacher, the Super XT Key Coverplate offers improved aesthetics, ease of use and minimized POS counterspace but still provides the trusted level of security Alpha is known for.

#### KEY FEATURES:

- Unlocks the entire line of S3, Standard Lock, XT and Super Lock products

ORDER CODE	SAP CODE	DESCRIPTION	EXTERNAL DIM. (L x W x H)	CARTON QTY.
SUPERXTKEY-SRM	10009524	Super XT Key, SRM Coverplate	6.00"L x 6.50"W x 1.50"H (15.24cmL x 16.51cmW x 3.81cmH)	1

**N**anoGate is the industry's first compact security gate for intra-store protection. Available in both AM and RF versions, it provides security for unprotected zones within your store. This small, attractive antenna activates our 3 Alarm products protecting your merchandise.

NanoGate mounts directly to door frames and walls and is simple to install. There is a stand option if no mounting surface is available.

# NANOGATE®

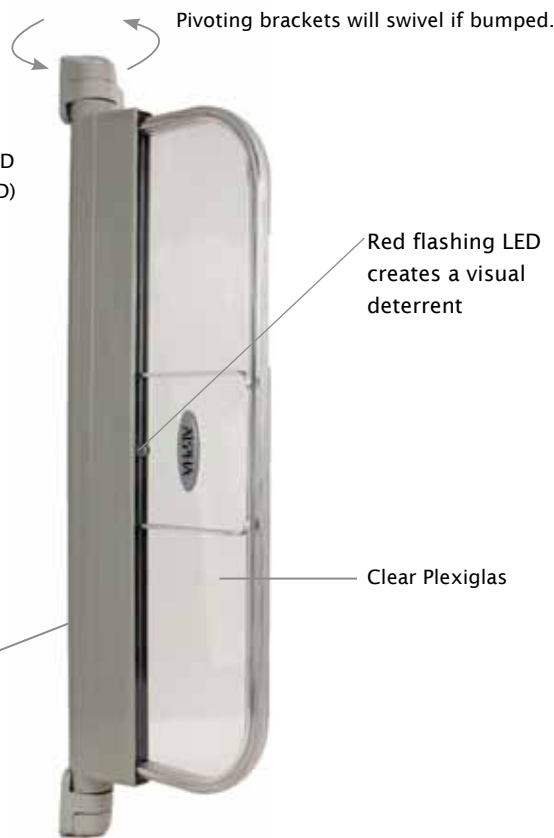




NANOGATE

# AM NanoGate®

**ALPHA**  
High Theft Solutions



Dimensions: 31.25"H x 10"W x 2"D  
(79.37cmH x 25.4cmW x 5.08cmD)



Alpha's AM NanoGate provides security for unprotected zones within your store. This small, attractive antenna activates the 3 Alarm® AM products protecting your merchandise.

**KEY FEATURES:**

- Easy to install
- Mounts directly to door frames and walls
- Audible alarm sounds for 2 minutes if main power is interrupted.
- Aesthetic design complements every store environment
- Plug-n-Play: Plugs into electrical outlet
- Stand available

**SUGGESTED APPLICATIONS:**

- Restrooms
- Exit and emergency doors
- Fitting rooms
- Elevators
- Store-within-a-store
- Other high-theft areas
- Liquor stores
- Independent boutiques

**Extends the value of 3 Alarm protection for:**

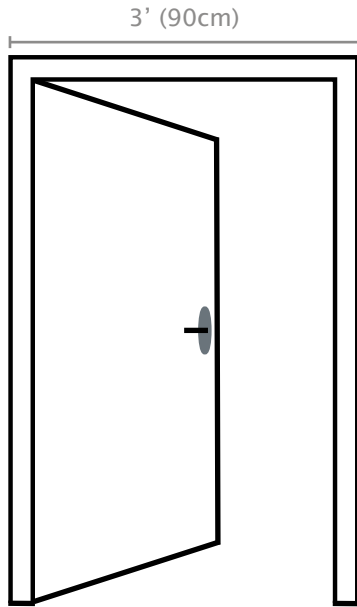
CableLoks® | Keepers® | Bottles  
Hard Tags | Spider Wraps®

ORDER CODE	SAP CODE	DESCRIPTION	CARTON QTY.
NANOGATE-AM-US	10105769	NanoGate, AM - US Plug, 22' of cable and power pack for 3' of coverage	1
NANOGATE-AM-EUR	10105684	NanoGate, AM - EURO Plug, 22' of cable and power pack for 3' of coverage	1
NANOGATE-AM-UK	10105701	NanoGate, AM - UK Plug, 22' of cable and power pack for 3' of coverage	1
NANOGATE-AM-ANTENNA	10105768	NanoGate, AM - 22' of cable for 6' of coverage. Works in tandem with one of the above NanoGates.	1
NANOGATE-PSTBASE-B	10108672	NanoGate, Post Base - Beige 13.8"L x 13.8"W x 1.2"D (35.00cmL x 35.00cmW x 3.00cmD)	1
NANOGATE-PSTCLMN-B	10108671	NanoGate, Post Column - Beige 55.1"L x 4.3"W x 2.2"D (140.00cmL x 11.00cmW x 5.55cmD)	1

Continued on back ...

# AM NanoGate

How to calculate range needed and distance to outlet:



US Plug



EUR Plug

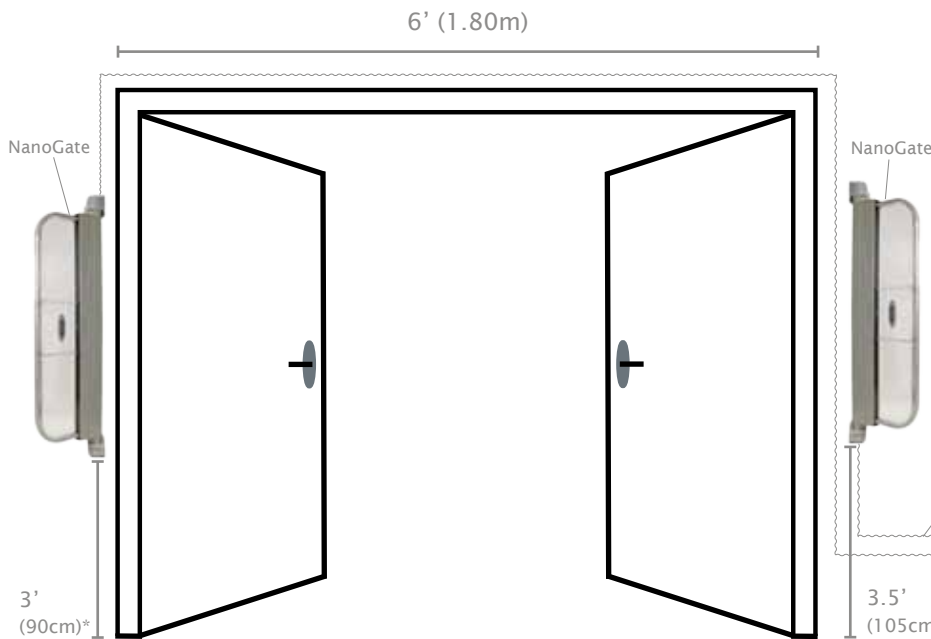


UK Plug

## Three foot range:

US: SAP# 10105769  
EUR: SAP# 10105684  
UK: SAP# 10105701

Includes: One NanoGate with 22' (6.5m) of cable  
One power pack  
One 6' (1.8m) power cord with either a US/Euro/UK plug

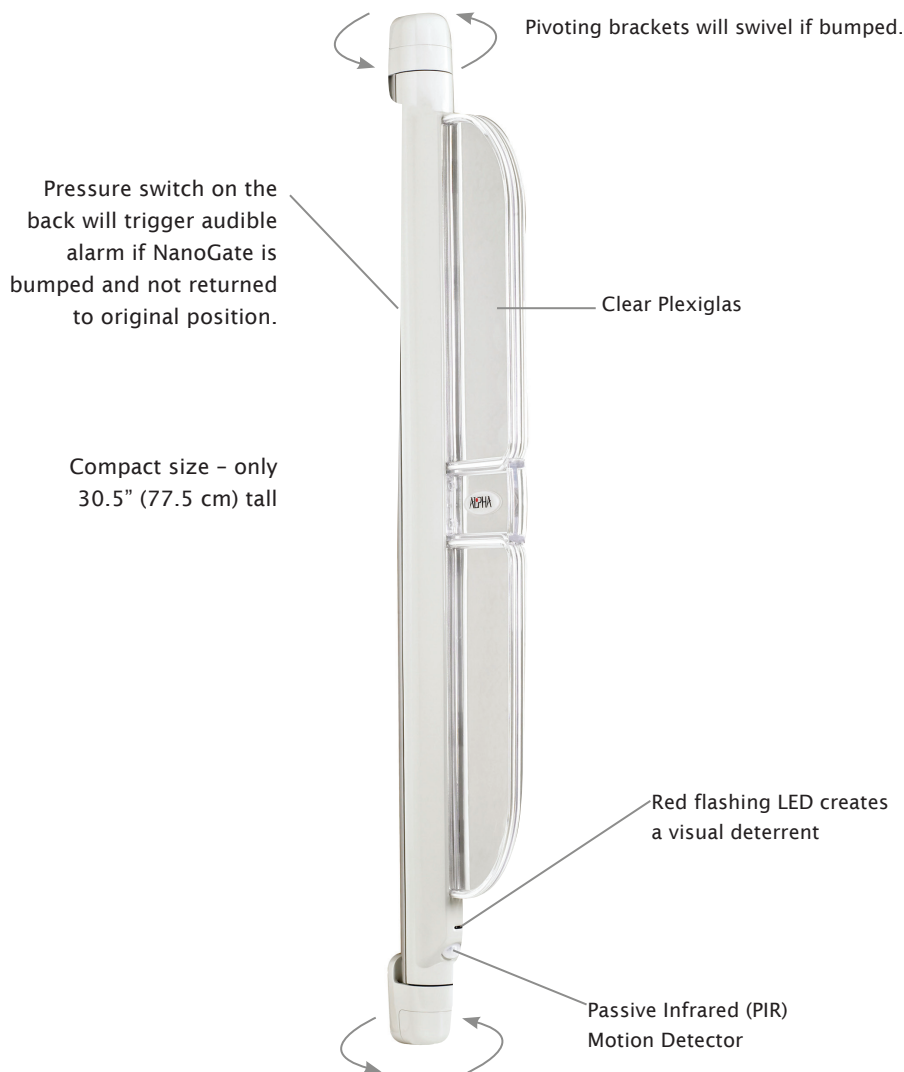


## Six foot range:

US: SAP# 10105769 + 10105768  
EUR: SAP# 10105684 + 10105768  
UK: SAP# 10105701 + 10105768

Includes: Two NanoGates with 22' (6.5m) of cable each  
One power pack  
One 6' (1.8m) power cord with either a US/Euro/UK plug

\* For optimum performance at 6' (1.80m), one NanoGate should be mounted at 3' (90cm) from the floor and the other at 3.5' (105cm).



Alpha's RF NanoGate provides security for unprotected zones within your store. This small, attractive antenna activates the 3 Alarm® RF products protecting your merchandise.

**KEY FEATURES:**

- Easy to install. Mounts directly to door frames and walls
- Aesthetic design complements every store environment
- Battery back-up for added security
- Plug-n-Play: Plugs into electrical outlet
- Audible alarm sounds for 2 minutes if main power is interrupted.
- Stand available

**SUGGESTED APPLICATIONS:**

- Restrooms
- Exit and emergency doors
- Fitting rooms
- Elevators
- Store-within-a-store
- Other high-theft areas
- Liquor stores
- Independent boutiques

**NANOGATE** Extends the value of 3 Alarm protection for:

CableLoks® | Keepers® | Bottles  
Hard Tags | Spider Wraps®

ORDER CODE	SAP CODE	DESCRIPTION	CARTON QTY.
NANOGATERF	10009337	NanoGate, RF - 30.50" (77.50 cm) H x 2.00" (5.08 cm) W x 6.00" (15.24 cm) D	1
NANOGATE-PSTBASE-B	10108672	NanoGate, Post Base - Beige 13.8"L x 13.8"W x 1.2"D (35.00cmL x 35.00cmW x 3.00cmD)	1
NANOGATE-PSTCLMN-B	10108671	NanoGate, Post Column - Beige 55.1"L x 4.3"W x 2.2"D (140.00cmL x 11.00cmW x 5.55cmD)	1

**D**esigned to be removed by the consumer after purchase, Alpha's Single Use solutions offer an economical, practical and secure approach to protecting your merchandise from theft and wardrobing.

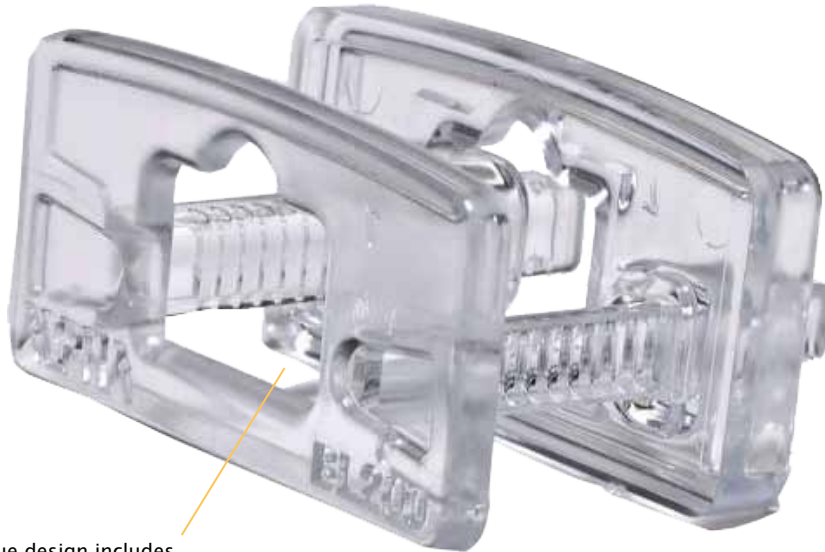
# SINGLE USE



**SINGLE  
USE**

# Blister Tag

**ALPHA**  
High Theft Solutions



Unique design includes center hole to accommodate peg hook merchandising

The Blister Tag is highly effective in reinforcing the die-cut peg hole in clamshell or blister packaged merchandise. The one-way clip is easy to use and makes sweeping from a peg hook difficult while maintaining the integrity of the packaging.

**KEY FEATURES:**

- Provides a strong visual deterrent to shoplifters
- Unique design includes center hole to accommodate a variety of merchandise
- Applied in store and removed by the consumer after purchase
- Reinforcement of the die-cut peg hole adds security

**SUGGESTED APPLICATIONS:**

Clamshell and blister packages

- Tough to defeat
- Consumer removal
- Strong visual deterrent



ORDER CODE	SAP CODE	DESCRIPTION	EXTERNAL DIM. (L x H x D)	CARTON QTY.
BL200	9261464	Disposable Blister Tag	1.57"L x 0.79"H x 1.18"D (4.00cmL x 2.00cmW x 3.00cmD)	100

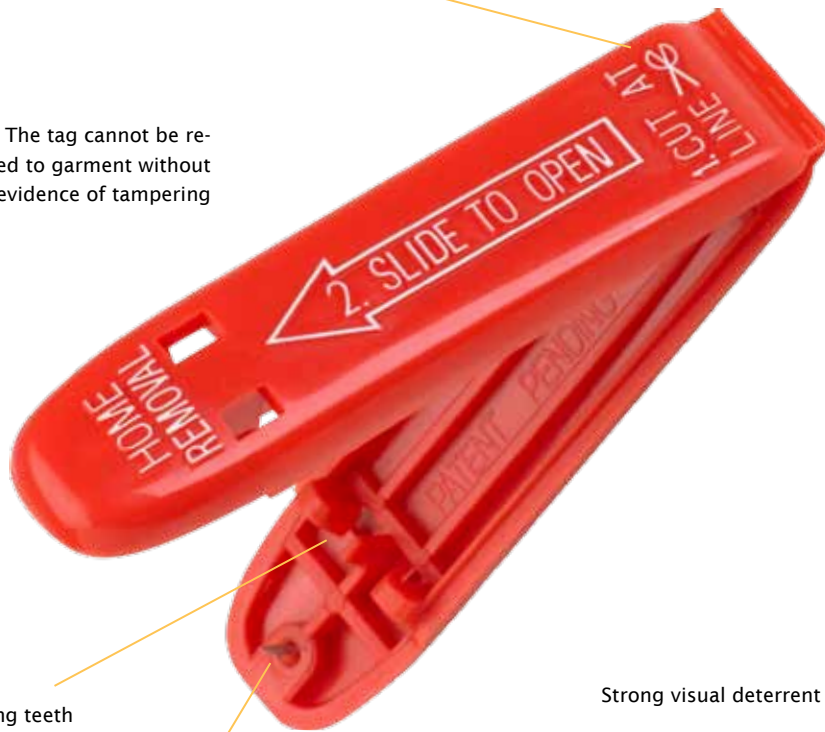
SINGLE  
USE

# Shark Tag®

ALPHA®  
High Theft Solutions

Consumer easily removes tag by following printed instructions

The tag cannot be re-applied to garment without evidence of tampering



Locking teeth

Small, sharp pin will not damage garment

Strong visual deterrent



The Shark Tag is very effective in preventing customers from purchasing, using and returning merchandise for a full refund. The Shark Tag attaches to the garment with a pin in a visible area — the bright red color is attention-getting and signifies that the merchandise is being secured. Shark Tags are easily removed by the customer at home.

#### KEY FEATURES:

- Garment cannot be returned for a full refund unless Shark Tag is still in place
- Consumer removal with easy-to-follow instructions on optional printed tag (can be customized)
- Can be used to reinforce your store return policy
- Great for online and catalog retailers to prevent “wardrobing” and used returns
- Can be source-applied or applied in the store

#### SUGGESTED APPLICATIONS:

Dresses  
Special occasion  
Menswear  
Lingerie  
Coats  
Furs  
Swim wear  
Online and catalog

ORDER CODE	SAP CODE	DESCRIPTION	EXTERNAL DIM. (L x W x D)	CARTON QTY.
ST150	10033874	Red Shark Tag - No EAS	1.57”L x 0.79”W x 1.18”D (4.00 cm L x 2.00 cm W x 3.00 cm D)	500

**O**ur Spider Wraps have become the standard in high theft security and are trusted by more than 500 retailers worldwide. Their expandable cables are able to protect a wide range of medium to large-sized merchandise and the two-stage locking buckle assures a tight, secure fit.

# SPIDER WRAPS®





# 1 Alarm Spider Wrap®



7-strand aircraft grade cable

Two-stage locking buckle for the most secure fit

Spider Wraps have become a standard in high-theft security because their expandable cables are able to protect a wide range of merchandise. Alpha was the first to bring the concept of a security wrap to the market and continues to be trusted by over 500 retailers worldwide.

#### KEY FEATURES:

- 7-strand aircraft grade cable
- Easy to apply and remove
- Tough, secure and reusable

#### SUGGESTED APPLICATIONS:

Medium to large packaged goods

Allows maximum viewing of product graphics



ORDER CODE	SAP CODE	DESCRIPTION	CARTON QTY.
SWRAP2ND	10007524	1 Alarm Spider Wrap - 50" AM (127.00 cm)	25
SWRAP3RFR	9172406	1 Alarm Spider Wrap - 70" RF (178.00 cm)	25



**SPIDER WRAPS**

# 2 Alarm Attack Spider Wrap®

**ALPHA**  
High Theft Solutions

Protected speaker minimizes defeat and produces up to a 95 dBA alarm



Flashing LED creates a visual deterrent

Internal clutch & easy-wind flip top creates a more secure fit

70" 7-strand aircraft grade cable

Includes Lithium battery for years of hassle-free operation

Auto-lock feature reduces number of steps required to apply

Alpha, the first to bring the concept of a security wrap to market, continues to enhance the Spider Wrap® with features that provide greater ease of use and improved security. A new, strong internal clutch enables cables to be cinched tightly around merchandise providing increased security for your boxed merchandise.

**KEY FEATURES:**

- Reusable, one-piece design
- 7-strand aircraft grade cable
- 95 dBA alarm
- Flashing LED creates a visual deterrent
- Includes Lithium battery for years of hassle-free operation
- Easy to apply and remove

**SUGGESTED APPLICATIONS:**

Medium to large packaged goods



102"



ORDER CODE	SAP CODE	DESCRIPTION	CARTON QTY.
SP1310AMRF	10110801	Next Gen 2 Alarm Attack Spider Wrap - 70" AM/RF (177.80 cm)	25
2ALQSWRPXLRFC	10103703	2 Alarm Attack Spider Wrap - 102" RF (259.08 cm)	25

**SPIDER WRAPS**

# 3 Alarm<sup>®</sup> Attack Spider Wrap<sup>®</sup>

**ALPHA<sup>®</sup>**  
High Theft Solutions

Protected speaker minimizes defeat and produces up to a 95 dBA alarm

Auto-lock feature reduces number of steps required to apply



Internal clutch & easy-wind flip top creates a more secure fit

Flashing LED creates a visual deterrent

7-strand aircraft grade cable

Includes Lithium battery for years of hassle-free operation

Alpha, the first to bring the concept of a security wrap to market, continues to enhance the Spider Wrap<sup>®</sup> with features that provide greater ease of use and improved security. A new, strong internal clutch enables cables to be cinched tightly around merchandise providing increased security for your boxed merchandise.

**KEY FEATURES:**

- Reusable, one-piece design
- 7-strand aircraft grade cable
- 95 dBA alarm
- Easy to apply and remove

**SUGGESTED APPLICATIONS:**

Medium to large packaged goods

**3 ALARM TECHNOLOGY:**

**EAS Protection:** Activates EAS alarm if a breach occurs

**Early Detection:** Alarms when merchandise is tampered with in store

**Extended Range:** Self alarms if merchandise is removed from store

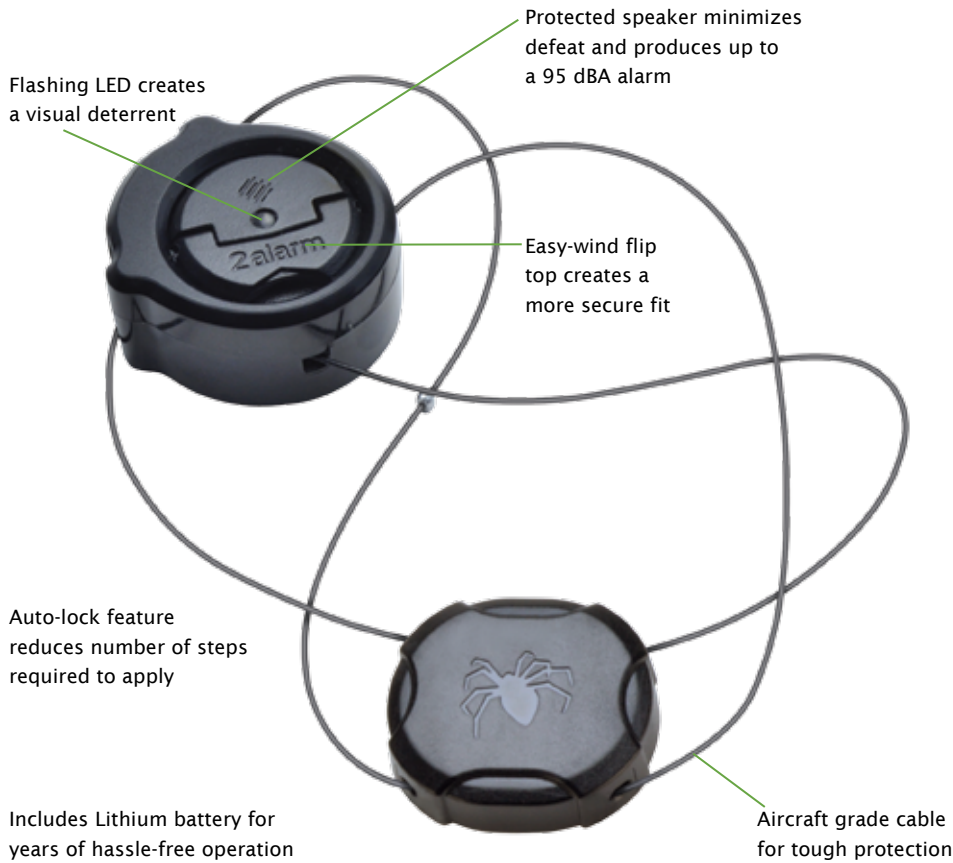


ORDER CODE	SAP CODE	DESCRIPTION	CARTON QTY.
3ALQSWRPLND	10003509	3 Alarm Attack Spider Wrap - 70" AM (177.80 cm)	25
3ALQSWRPLRFC	10003566	3 Alarm Attack Spider Wrap - 70" RF (177.80 cm)	25
3ALQSWRPXLND	10003507	3 Alarm Attack Spider Wrap - 102" AM (259.08 cm)	25
3ALQSWRPXLRFC	10003568	3 Alarm Attack Spider Wrap - 102" RF (259.08 cm)	25

**SPIDER WRAPS**

# 2 Alarm Mini Spider Wrap®

**ALPHA**  
High Theft Solutions



The Mini Spider's unique size maximizes display opportunities for small packaged goods. The strong internal clutch mechanism enables the cables to be cinched tightly, providing increased security for your smaller boxed merchandise.

**KEY FEATURES:**

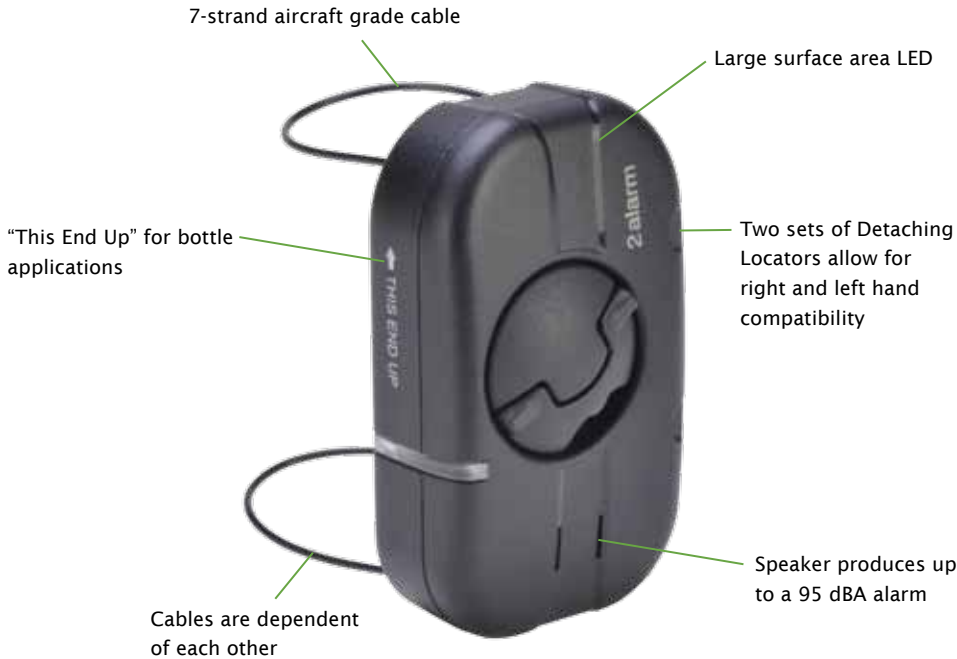
- Reusable, one-piece design
- Aircraft grade cable
- 95 dBA alarm
- Easy to apply and remove

**SUGGESTED APPLICATIONS:**

- Housewares
- Coffee makers
- Portable DVD players
- iPods
- Digital photo frames
- Mobile phones
- Video game hardware
- Software
- Zip drives
- Video games
- Ink and toner cartridges



ORDER CODE	SAP CODE	DESCRIPTION	CARTON QTY.
2ALMNSWRPL-AM/RF	10109996	2 Alarm Mini Spider Wrap - 32" AM/RF (81.28 cm)	25



Spider Wraps have become a standard in high-theft security because their expandable cables are able to protect a wide range of merchandise. Alpha was the first to bring the concept of a security wrap to the market and continues to be trusted by over 500 retailers worldwide.

**KEY FEATURES:**

- 2 Alarm technology
- 95 dBA alarm
- Adjustable Cables cinch to secure a wide array of merchandise
- Rubber grip backing protects the merchandise while ensuring a tight fit
- Tough, secure and reusable

**SUGGESTED APPLICATIONS:**

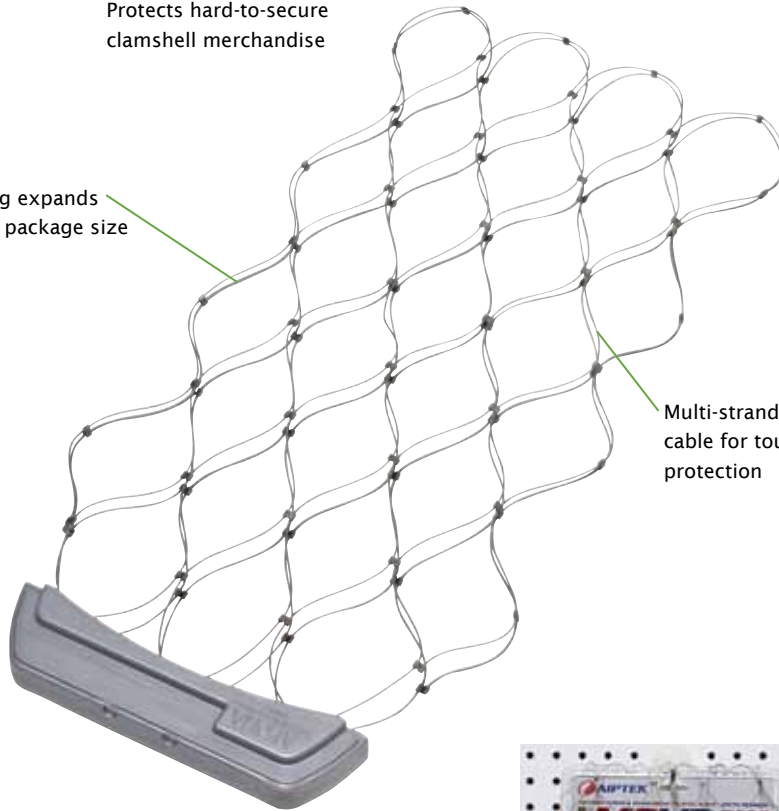
- Bottles
- Rods & reels
- Golf clubs
- Drill bits



ORDER CODE	SAP CODE	DESCRIPTION	EXTERNAL DIM. (L x W x H)	CARTON QTY.
2ALWRAPTAGR	10003447	2 Alarm Wrap Tag 11" (28cm) - RF	2.69"L x 0.87"W x 1.57"H (6.83 cmL x 2.21 cmW x 3.99 cmH)	25

Protects hard-to-secure clamshell merchandise

Mesh bag expands easily to package size



Multi-strand steel cable for tough protection



The Spider Web's unique multi-strand steel cable mesh bag presents an excellent visual deterrent that allows open merchandising without the risk. Spider Webs provide breakthrough security for even the most irregular-shaped packages.

**KEY FEATURES:**

- Thin, sleek design
- Easy to apply and remove
- Tough, secure and reusable

**SUGGESTED APPLICATIONS:**

15" Spider Web: Fits packages with girth up to 21.25"

17" Spider Web: Fits packages with girth up to 23.25"

Girth = L+W+D



ORDER CODE	SAP CODE	DESCRIPTION	INTERNAL DIM. (H x W x D)	CARTON QTY.
SW15ND	9219284	Spider Web 15" - AM	15.00"H x 7.00"W x 3.00"D (38.10 cmH x 17.78 cmW x 7.62 cmD)	10
SW17ND	9219286	Spider Web 17" - AM	17.00"H x 7.00"W x 3.00"D (43.18 cmH x 17.78 cmW x 7.62 cmD)	10

One of our newest innovations, VersaLok provides retailers with both security and flexibility. By combining a reusable alarming module with a disposable trace, the protection options are nearly limitless.

VersaLok is the perfect security solution for a wide variety of store merchandise. It's just one of the many innovative ways we help you sell more and lose less.

# VERSALOK™





# 2 & 3 Alarm<sup>®</sup> VersaLok<sup>™</sup>



Flashing LED light

95 dBA alarm



Module

Trace



Long lasting Lithium battery



Alpha's VersaLok provides retailers with both security and flexibility. By combining a reusable alarming module with a disposable trace, the protection options are nearly limitless.

**KEY FEATURES:**

- 95 dBA alarm
- Flashing LED light
- Isolated sound chamber
- Easy to apply and remove
- Compact module size helps maximize merchandise sets and minimize storage space
- Reusable module
- Disposable conductive trace

**SUGGESTED APPLICATIONS:**

Packaged merchandise

**3 ALARM TECHNOLOGY:**

EAS Protection: Activates EAS alarm if a breach occurs

Early Detection: Alarms when merchandise is tampered with in store

Extended Range: Self alarms if merchandise is removed from store

ORDER CODE	SAP CODE	DESCRIPTION	EXTERNAL DIM. (L x W x H)	CARTON QTY.
VERSALOK-AM2AL-S3	10109696	S3 2 Alarm VersaLok, AM	1.59" L x 1.54" W x 0.88" H (4.04 cmL x 3.91 cmW x 2.24 cmH)	25
VERSALOK-RF2AL-S3	10109697	S3 2 Alarm VersaLok, RF	1.59" L x 1.54" W x 0.88" H (4.04 cmL x 3.91 cmW x 2.24 cmH)	25
VERSALOK-AM3AL-S3	10109700	S3 3 Alarm VersaLok, AM	1.59" L x 1.54" W x 0.88" H (4.04 cmL x 3.91 cmW x 2.24 cmH)	25
VERSALOK-RF3AL-S3	10109701	S3 3 Alarm VersaLok, RF	1.59" L x 1.54" W x 0.88" H (4.04 cmL x 3.91 cmW x 2.24 cmH)	25
EP VERSALOK-250	10112343	VersaLok Trace, Short	3.35" L (8.5 cmL)	250

**W**e understand how critical the customer experience to increasing your sales so we offer products that showcase as well as protect your high-value merchandise.

Turn shoppers into buyers by providing smart solutions on display.

# DISPLAY SOLUTIONS





## Atlas™

### *Security and power in a stand alone solution*

Introducing Atlas — a sleek, low-profile stand that secures your high-theft electronics and increases your sales by allowing shoppers to fully experience the merchandise. Atlas is a completely self-contained system above the counter and will integrate easily with your fixtures.

- Works with tablets, mobile phones, cameras, GPS devices and MP3 players
- System provides power to merchandise so shoppers have the full experience
- Security is monitored through multiple trigger points
- Internal alarm and flashing LED indicates if product is tampered with
- Back-up battery maintains constant security if power is lost or power supply is interrupted
- Adhesive on the base mounts securely to any flat surface without drilling holes
- Programmable security key will arm or disarm system — up to 20 keys can be programmed for each stand
- Backed by a global service and support network
- Compliments Alpha's line of S3 solutions



## MAIN COMPONENTS

Description	SAP Number
Atlas Stand (Black)	10106454
Atlas Stand (White)	10106455
Merger, Coiled Cable (Black)	10106456
Merger, Coiled Cable (White)	10106457
Key	10110198

## GPS, MP3, MOBILE PHONE, TABLET COMPONENTS

Description	SAP Number
Power Supply 5V/2A	10110423
30 Degree Sensor (Black)	10103534
30 Degree Sensor (White)	10103495
Horizontal Sensor (Black) (Optional)	10104669
Horizontal Sensor (White) (Optional)	10104670
Extension Bracket (Black, Tablets Only)	10105561
Extension Bracket (White, Tablets Only)	10105562

## CAMERA COMPONENTS

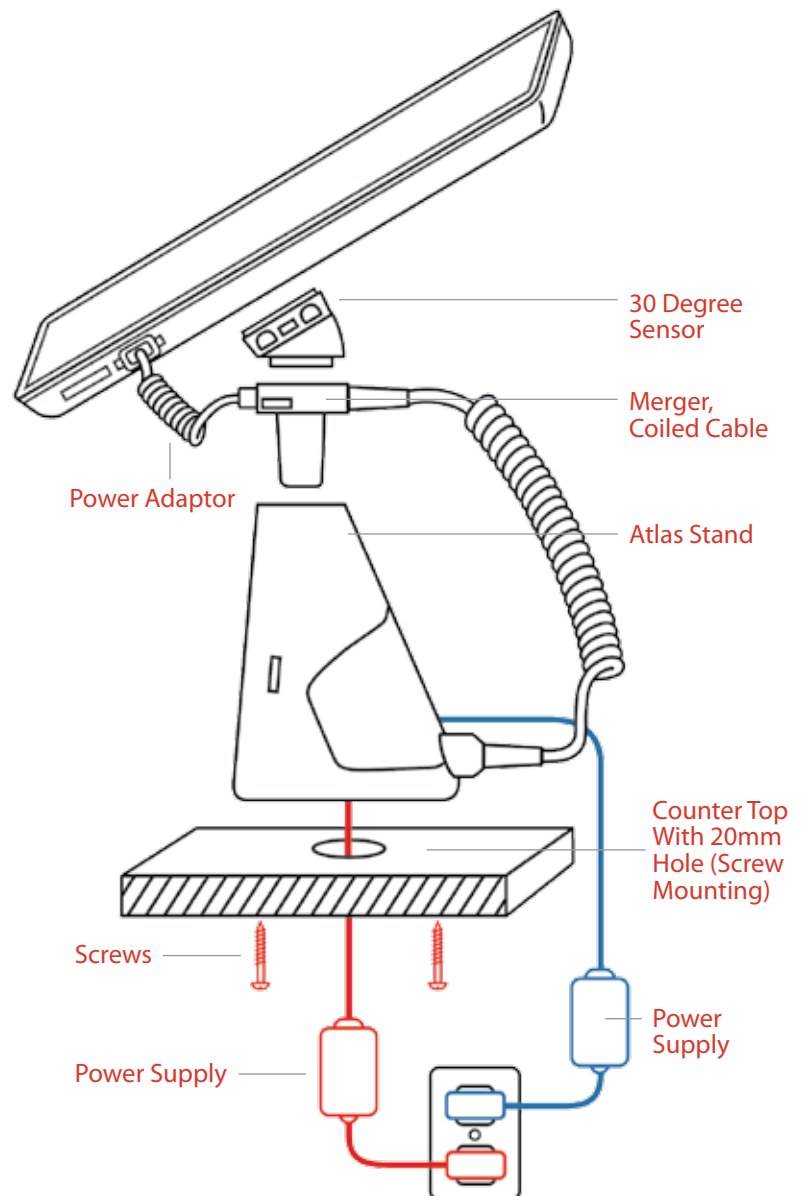
Description	SAP Number
Power Supply 3-12V/4A (US Plug)	10110746
AU Adaptor (Use with US Power Supply)	10110747
EU Adaptor (Use with US Power Supply)	10110748
UK Adaptor (Use with US Power Supply)	10110749
Universal Bracket (Black)	10103551
Universal Bracket (White)	10103478

## SECOND SENSOR OPTION

Description	SAP Number
Second Sensor (Black)	10103497
Second Sensor (White)	10103504

## MAINTENANCE

Description	SAP Number
Alcohol Cleaning Cloth (100/pk)	9136145
Atlas Stand PSA (50/pk)	10107420
Showsafe Plus PSA (100/pk)	10105848
Second Sensor PSA (100/pk)	10033767
Second Sensor Special Surface PSA (20/pk)	10109799
Showsafe Plus Tool	10107679
Hex Screwdriver (3.0mm)	10110974



■ Shows location of Power Supply with Adhesive Mounting

■ Shows location of Power Supply with Screw Mounting

There are multiple Power Adaptor options. For more information, e-mail Jerry Alvarado at [JerryAlvarado@alphaworld.com](mailto:JerryAlvarado@alphaworld.com)

## For Mobile Phones

***Increase your sales  
with best-in-class  
product protection***

Showsafe is designed to showcase as well as protect your high value mobile phones and smart phones. Turn shoppers into buyers by providing them the opportunity to experience the merchandise up close.



- Encourages customer engagement
- Easy to install
- One sensor provides security, charging, audio and video
- Each product can be individually powered for better system integrity
- Unique electronic user key is easy to operate
- Low profile displays provide optimal product presentation
- Backed by a global service and support network
- Compliments Alpha's line of S3 solutions



Chrome/White  
8cm 4cm

Chrome/Black  
8cm 4cm

Black /Black  
8cm 4cm

## BASIC COMPONENTS

Description	SAP Number
8cm Device Post (Chrome/Black)	9298784
Device Controller 4P	10102011
System Controller Set	10007528
Power Supply 12V 1.25A	10104710
10c Recoiler	10102833
Multi Sensor (Black)	10104573
Event Sensor (Black)	10104577
Power Adaptor MicroUSB (Black)	10104604

## ADDITIONAL POST OPTIONS

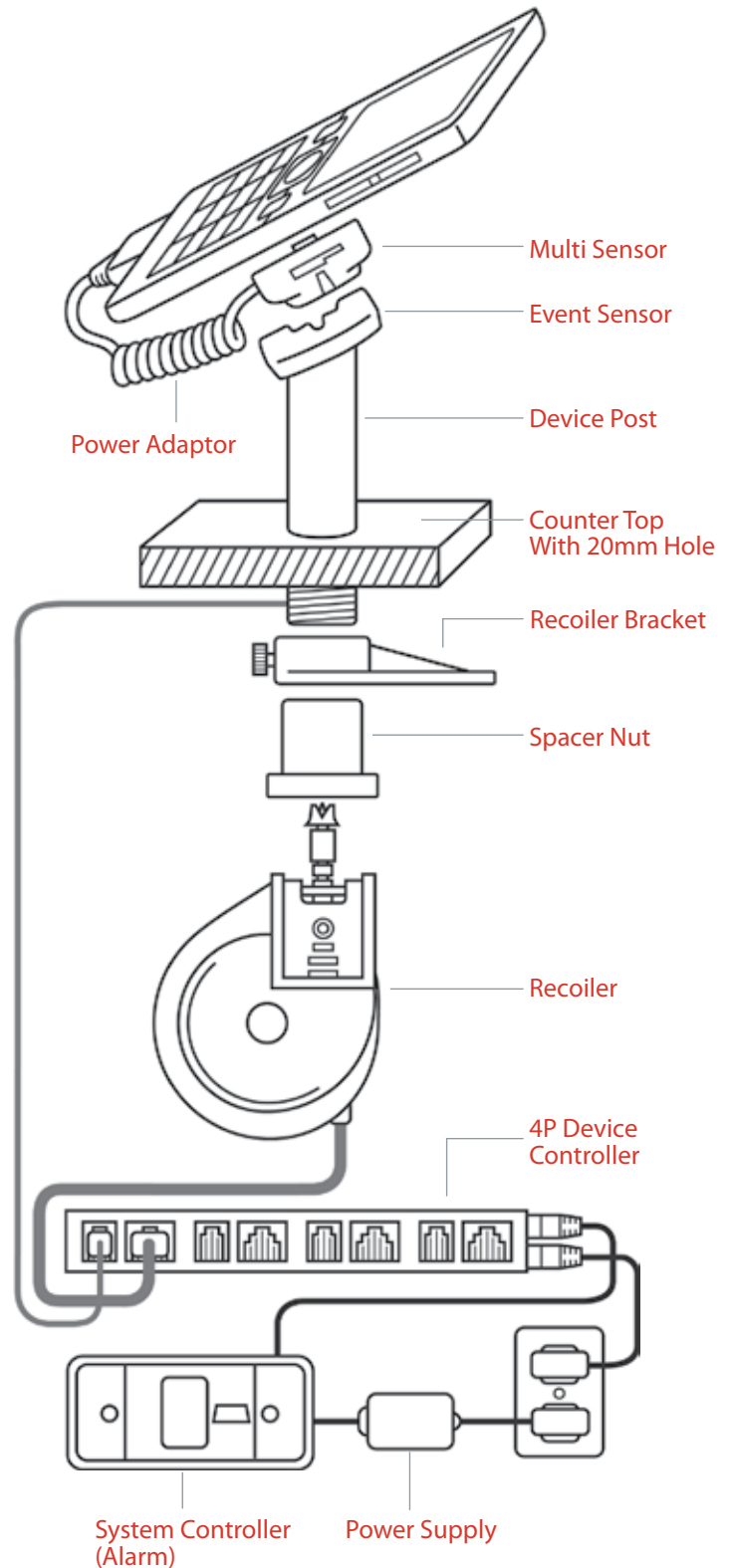
Description	SAP Number
4cm Device Post (Black)	9294783
4cm Device Post (Chrome/Black)	9294784
4cm Device Post (Chrome/White)	10009315
8cm Device Post (Black/Black)	9298788
8cm Device Post (Chrome/White)	10033765

## ACCESSORIES

Description	SAP Number
User Key	10104511
M20 Bevel Adaptor	9408226
M20 Bevel Adaptor (White)	10009317
Multi Sensor (White)	10104574
Event Sensor (White)	10104579
MultiSensor with 2nd Sensor (Black)	10104575
Multi Sensor with 2nd Sensor (White)	10106722
PA MicroUSB (White)	10104605
Flashing Light with Siren and Relay Adaptor	9285789
Mounting Bracket System Controller	9291279
Mounting Bracket Device Controller	9291280
10c Recoiler Vertical Mounting Bracket	9296885

## MAINTENANCE

Description	SAP Number
Alcohol Cleaning Cloth (100/pk)	9136145
Multi Sensor PSA (100/pk)	9236174
Small 2nd Sensor PSA (100/pk)	10033767
Multi Sensor Removal Tool	9290747
Multi Sensor Adaptor Removal Tool	9283634





## For MP3 Players

***Increase your sales  
with best-in-class  
product protection***

Showsafe is designed to showcase as well as protect your high value MP3 players and iPods. Turn shoppers into buyers by providing them the opportunity to experience the merchandise up close.

- Encourages customer engagement
- Easy to install
- One sensor provides security, charging, audio and video
- Each product can be individually powered for better system integrity
- Unique electronic user key is easy to operate
- Low profile displays provide optimal product presentation
- Backed by a global service and support network
- Compliments Alpha's line of S3 solutions



## BASIC COMPONENTS

Description	SAP Number
8cm Device Post (Chrome/Black)	9298784
Device Controller 4P	10102011
System Controller Set	10007528
Power Supply 12V 1.25A	10104710
10c Recoiler	10102833
Multi Sensor (Black)	10104573
Event Sensor (Black)	10104577
Power Adaptor MicroUSB (Black)	10104604
Power Adaptor	Various

## ADDITIONAL POST OPTIONS

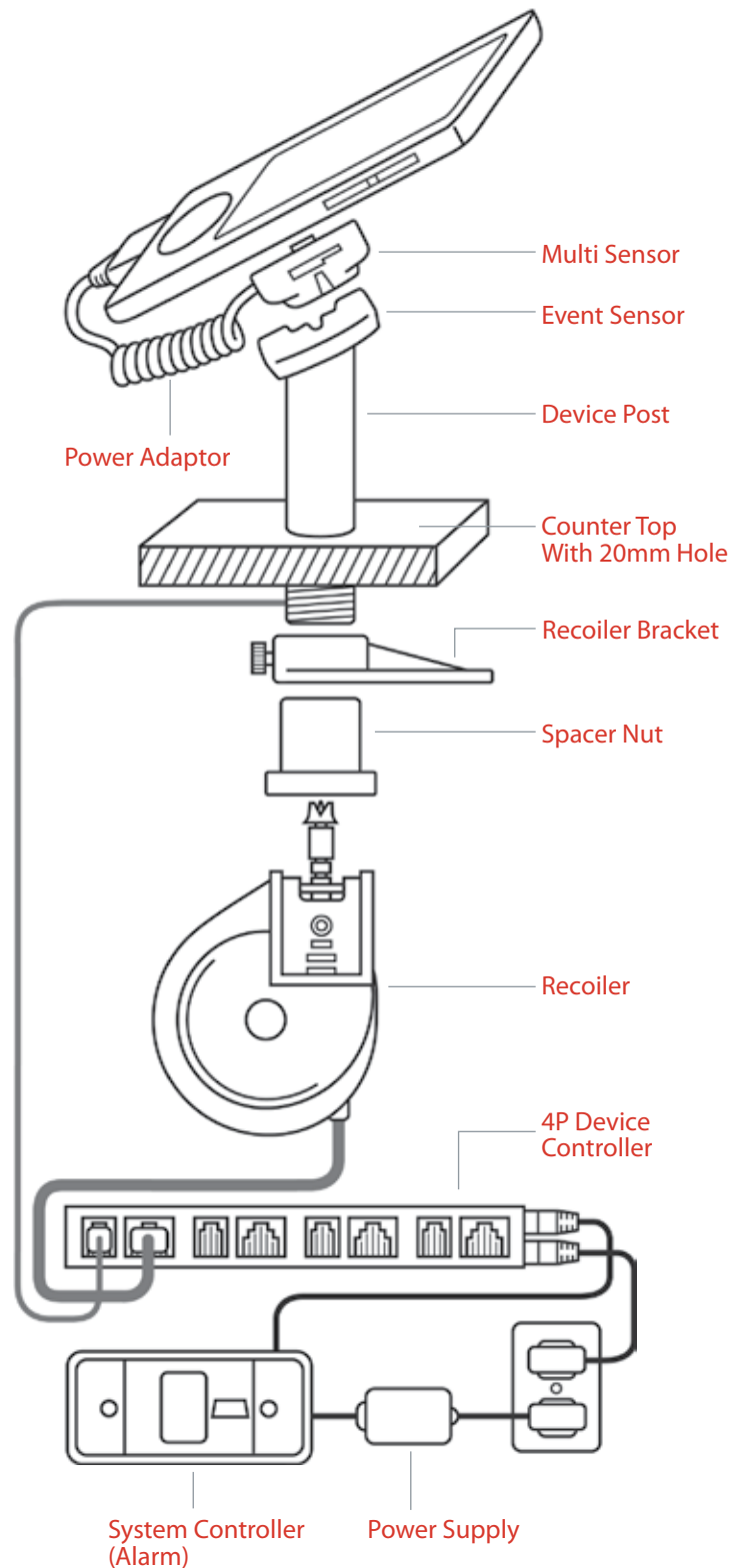
Description	SAP Number
4cm Device Post (Black)	9294783
4cm Device Post (Chrome/Black)	9294784
4cm Device Post (Chrome/White)	10009315
8cm Device Post (Black/Black)	9298788
8cm Device Post (Chrome/White)	10033765

## ACCESSORIES

Description	SAP Number
User Key	10104511
M20 Bevel Adaptor	9408226
M20 Bevel Adaptor (White)	10009317
Multi Sensor (White)	10104574
Event Sensor (White)	10104579
MultiSensor with 2nd Sensor (Black)	10104575
Multi Sensor with 2nd Sensor (White)	10106722
Flashing Light with Siren and Relay Adaptor	9285789
Mounting Bracket System Controller	9291279
Mounting Bracket Device Controller	9291280
10c Recoiler Vertical Mounting Bracket	9296885

## MAINTENANCE

Description	SAP Number
100 Alcohol Cleaning Cloth (100/pk)	9136145
100 Multi Sensor PSA (100/pk)	9236174
100 Small 2nd Sensor PSA (100/pk)	10033767
Multi Sensor Removal Tool	9290747
Multi Sensor Adaptor Removal Tool	9283634



## For GPS Devices

*Increase your sales  
with best-in-class  
product protection*



Showsafe is designed to showcase as well as protect your high value GPS devices. Turn shoppers into buyers by providing them the opportunity to experience the merchandise up close.

- Encourages customer engagement
- Easy to install
- One sensor provides security, charging, audio and video
- Each product can be individually powered for better system integrity
- Unique electronic user key is easy to operate
- Low profile displays provide optimal product presentation
- Backed by a global service and support network
- Compliments Alpha's line of S3 solutions



Chrome/White  
8cm 4cm

Chrome/Black  
8cm 4cm

Black/Black  
8cm 4cm

## BASIC COMPONENTS

Description	SAP Number
8cm Device Post (Chrome/Black)	9298784
Device Controller 4P	10102011
System Controller Set	10007528
Power Supply 12V 1.25A	10104710
10c Recoiler	10102833
Multi Sensor (Black)	10104573
Event Sensor (Black)	10104577
PA MicroUSB (Black)	10104604

## ADDITIONAL POST OPTIONS

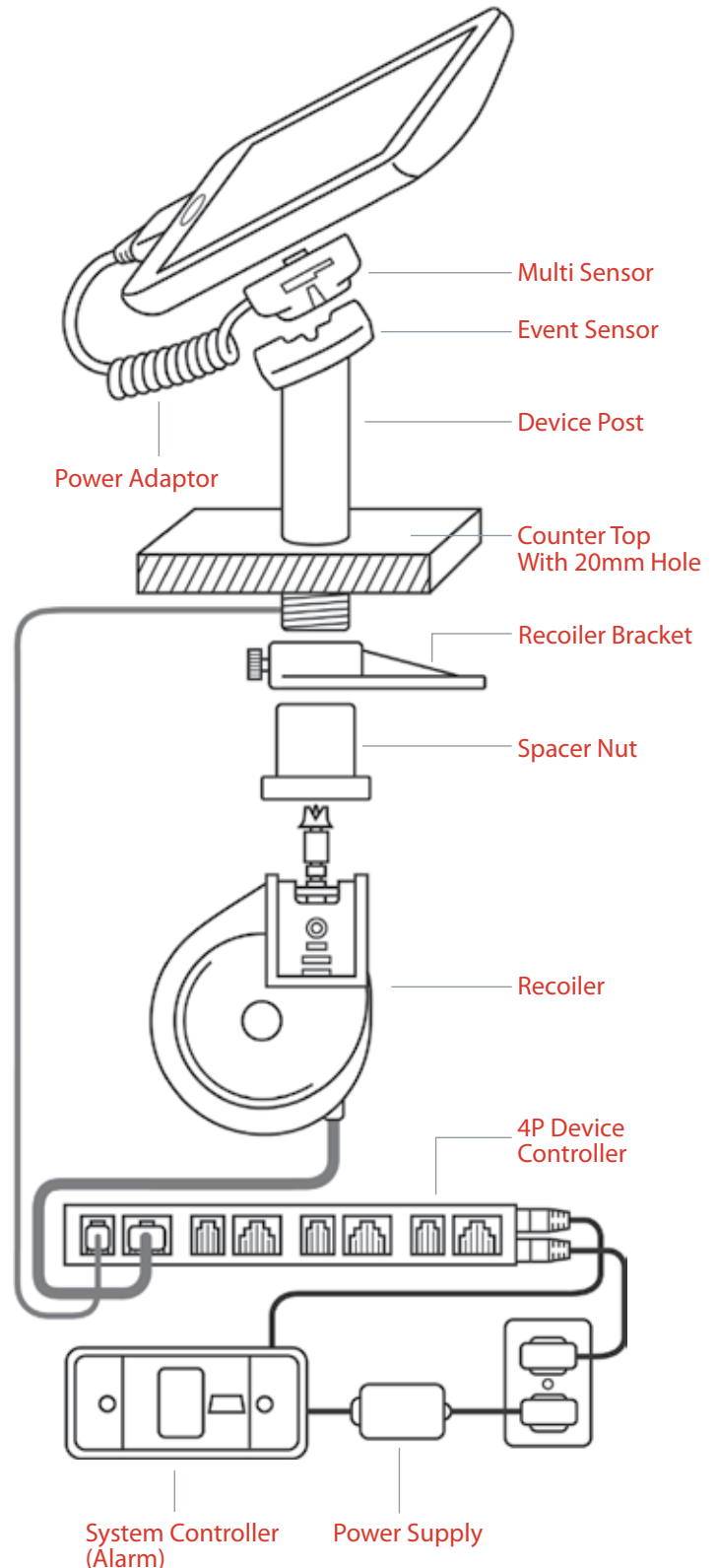
Description	SAP Number
4cm Device Post (Black)	9294783
4cm Device Post (Chrome/Black)	9294784
4cm Device Post (Chrome/White)	10009315
8cm Device Post (Black/Black)	9298788
8cm Device Post (Chrome/White)	10033765

## ACCESSORIES

Description	SAP Number
User Key	10104511
M20 Bevel Adaptor	9408226
M20 Bevel Adaptor (White)	10009317
Multi Sensor (White)	10104574
Event Sensor (White)	10104579
MultiSensor with 2nd Sensor (Black)	10104575
Multi Sensor with 2nd Sensor (White)	10106722
PA MicroUSB (White)	10104605
Flashing Light with Siren and Relay Adaptor	9285789
Mounting Bracket System Controller	9291279
Mounting Bracket Device Controller	9291280
10c Recoiler Vertical Mounting Bracket	9296885

## MAINTENANCE

Description	SAP Number
Alcohol Cleaning Cloth (100/pk)	9136145
Multi Sensor PSA (100/pk)	9236174
Small 2nd Sensor PSA (100/pk)	10033767
Multi Sensor Removal Tool	9290747
Multi Sensor Adaptor Removal Tool	9283634





## For Laptops



### *Increase your sales with best-in-class product protection*

Showsafe is designed to showcase as well as protect your high value laptop computers. Turn shoppers into buyers by providing them the opportunity to experience the merchandise up close.

RJ45 Sensor



Accessory Sensor



USB Sensor



*Also available in white*

- Encourages customer engagement
- Easy to install
- One sensor provides security, charging, audio and video
- Each product can be individually powered for better system integrity
- Unique electronic user key is easy to operate
- Low profile displays provide optimal product presentation
- Backed by a global service and support network
- Compliments Alpha's line of S3 solutions

## BASIC COMPONENTS

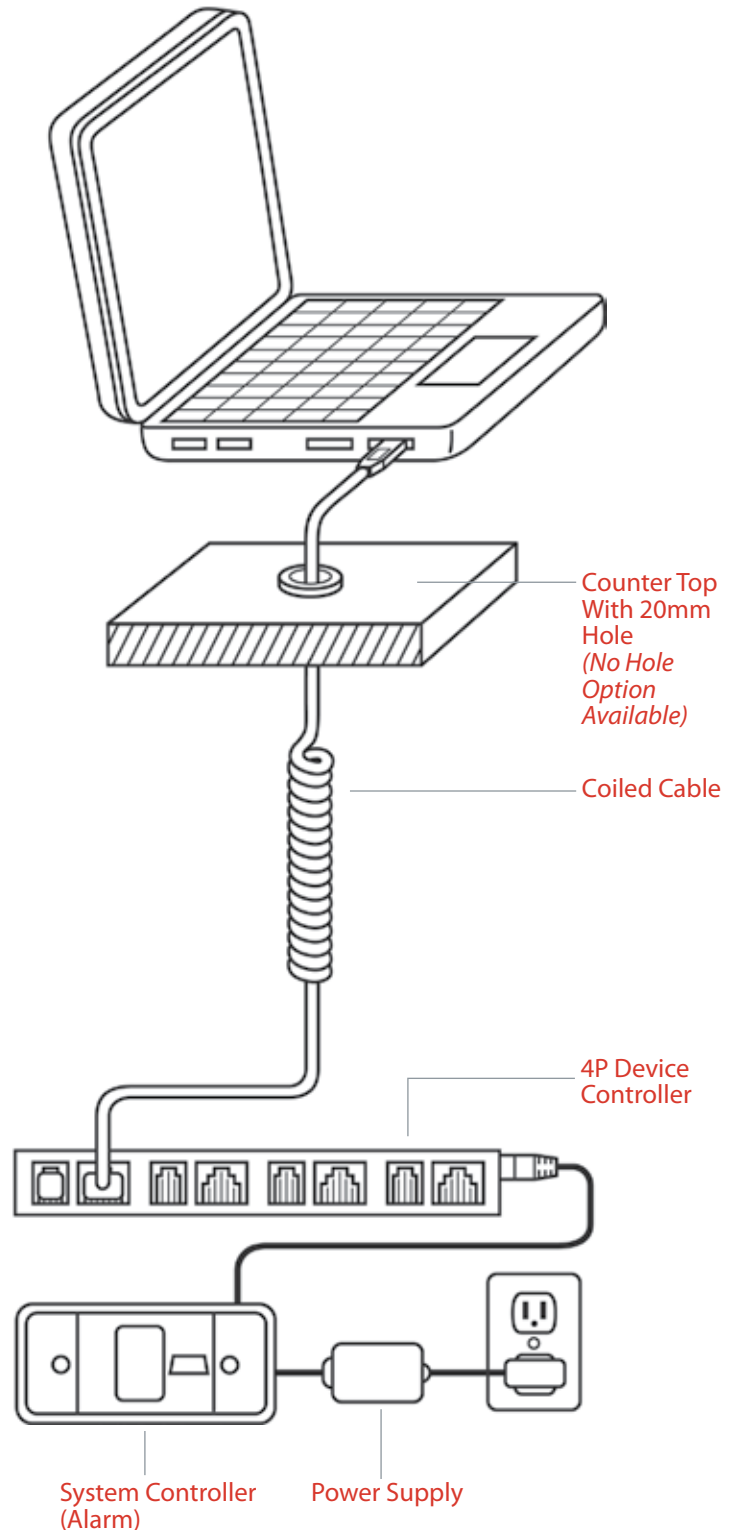
Description	SAP Number
Device Controller 4P	10102011
System Controller Set	10007528
Accessory Sensor 10c (Black)	10104580

## ACCESSORIES

Description	SAP Number
User Key	10104511
Accessory Sensor 10c (White)	10104582
Accessory Sensor 10c Smooth Cable (Black)	10104976
Accessory Sensor 10c Smooth Cable (White)	10106138
Accessory Sensor w/ Second Sensor (Black)	10104920
Accessory Sensor w/ Second Sensor (White)	10104931
RJ45 Sensor 10c (Black)	10104583
RJ45 Sensor 10c (White)	10104585
USB Sensor 10c (Black)	10104586
USB Sensor 10c (White)	10104587
Flashing Light with Siren and Relay Adaptor	9285789
Mounting Bracket System Controller	9291279
Mounting Bracket Device Controller	9291280

## MAINTENANCE

Description	SAP Number
Alcohol Cleaning Cloth (100/pk)	9136145
Accessory Sensor PSA (100/pk)	10033766
Multi Sensor Removal Tool	9290747



## For Tablets

### *Increase your sales with best-in-class product protection*

Showsafe Plus is designed to showcase as well as protect your high value tablets. Turn shoppers into buyers by providing them the opportunity to experience the merchandise up close.



- Encourages customer engagement
- Easy to install
- One sensor provides security, charging, audio and video
- Each product can be individually powered for better system integrity
- Unique electronic user key is easy to operate
- Low profile displays provide optimal product presentation
- Backed by a global service and support network
- Compliments Alpha's line of S3 solutions



White/White  
4cm 8cm

Chrome/White  
4cm 8cm

Chrome/Black  
4cm 8cm

Black/Black  
4cm 8cm

## BASIC COMPONENTS

Description	SAP Number
8cm Display Post (Black)	10103465
Device Controller 4P	10102011
System Controller Set	10007528
Power Supply 3-12V/4A	10105543
Recoiler (Black)	10103444
Merger (Black)	10103448
Display 4 Stop (Black)	10103451
30° Bracket (Black)	10103534
Bracket PSA Extension (Black)	10105561
Power Adaptor Apple	10103655

## ADDITIONAL POST OPTIONS

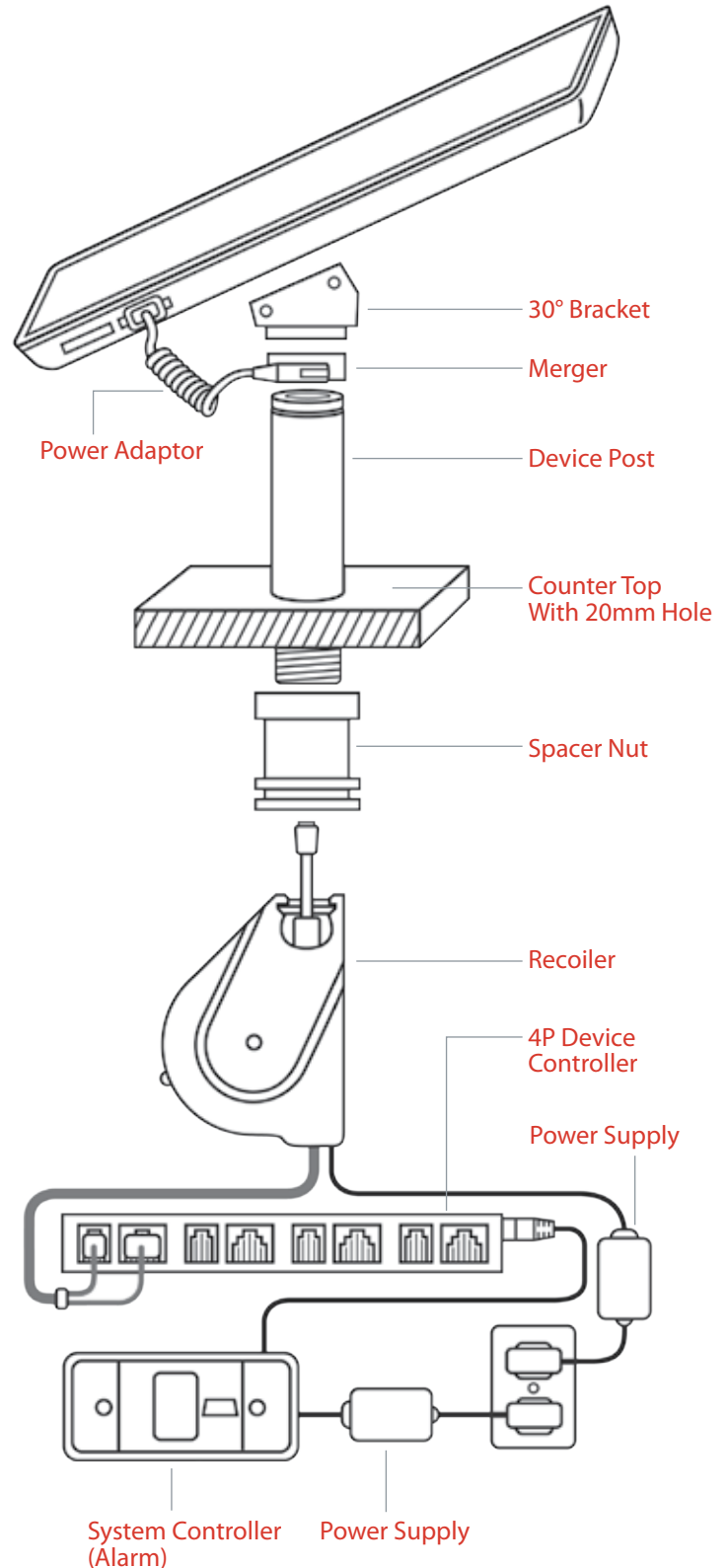
Description	SAP Number
4cm Display Post (Chrome)	10103461
4cm Display Post (Black)	10103462
4cm Display Post (White)	10103463
8cm Display Post (Chrome)	10103464
8cm Display Post (White)	10103466

## ACCESSORIES

Description	SAP Number
User Key	10104511
Merger (White)	10103443
Display, 4 Stop (White)	10103452
Bracket PSA Extension (White)	10105562
30° Bracket (White)	10103495
Horizontal Bracket (Black)	10104669
Horizontal Bracket (White)	10104670
Flashing Light with Siren and Relay Adaptor	9285789
Mounting Bracket System Controller	9291279
Mounting Bracket Device Controller	9291280

## MAINTENANCE

Description	SAP Number
Alcohol Cleaning Cloth (100/pk)	9136145
Bracket PSA (100/pk)	10105848
Removal Tool	10107679





## For Cameras and Camcorders

### *Increase your sales with best-in-class product protection*

ShowSafe Plus is designed to showcase as well as protect your high value cameras and camcorders. Turn shoppers into buyers by providing them the opportunity to experience the merchandise up close.

- Encourages customer engagement
- Easy to install
- One sensor provides security, charging, audio and video
- Each product can be individually powered for better system integrity
- Unique electronic user key is easy to operate
- Low profile displays provide optimal product presentation
- Backed by a global service and support network
- Compliments Alpha's line of S3 solutions



White/White  
4cm 8cm

Chrome/White  
4cm 8cm

Chrome/Black  
4cm 8cm

Black/Black  
4cm 8cm

## BASIC COMPONENTS

Description	SAP Number
8cm Display Post (Black)	10103465
Device Controller 4P	10102011
System Controller Set	10007528
Power Supply 3-12V/4A	10105543
Recoiler (Black)	10103444
Merger (Black)	10103448
Display 4 Stop (Black)	10103451
Universal Bracket (Black)	10103551
Power Adaptor	Various

## ADDITIONAL POST OPTIONS

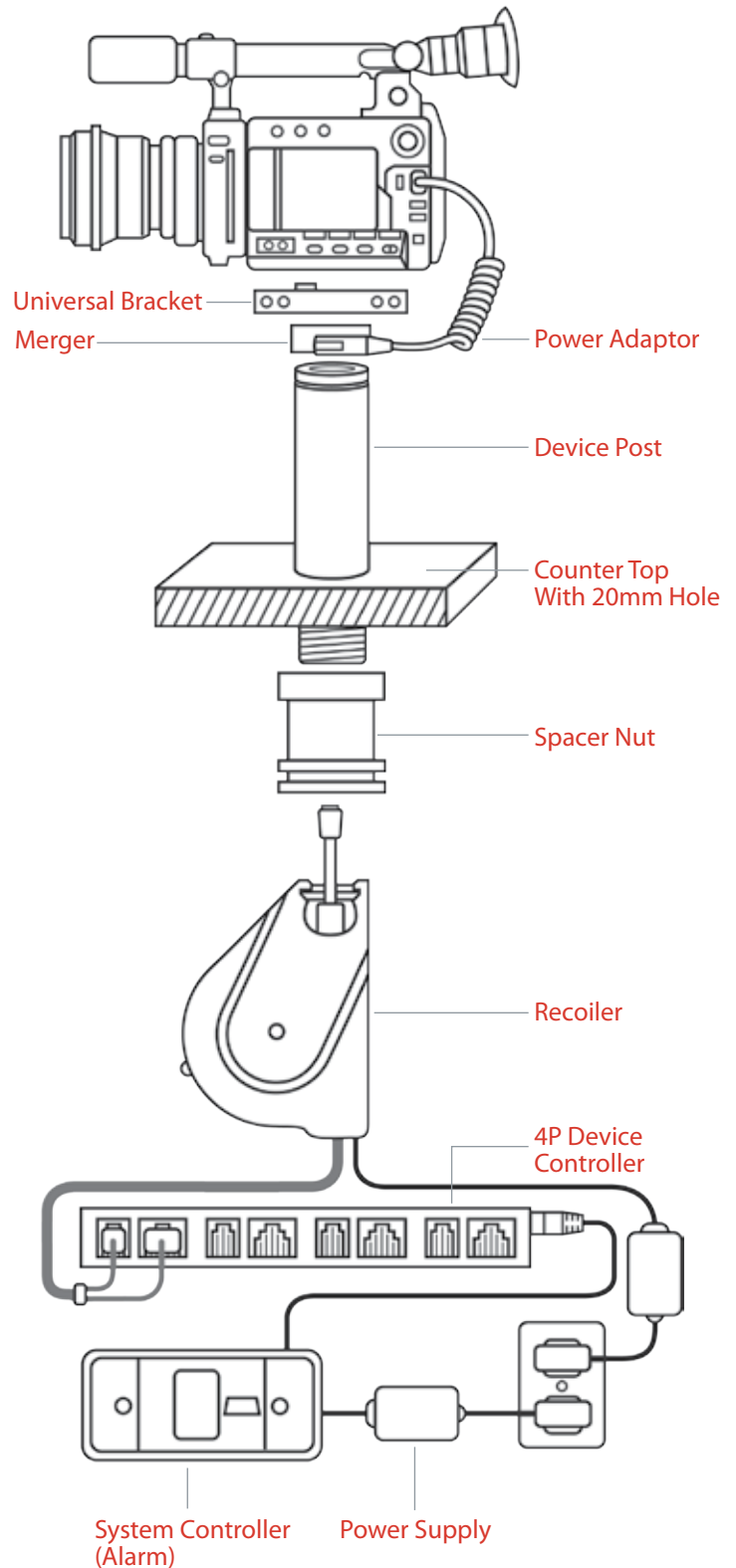
Description	SAP Number
4cm Display Post (Chrome)	10103461
4cm Display Post (Black)	10103462
4cm Display Post (White)	10103463
8cm Display Post (Chrome)	10103464
8cm Display Post (White)	10103466

## ACCESSORIES

Description	SAP Number
User Key	10104511
Merger (White)	10103443
Display 4 Stop (White)	10103452
Universal Bracket (White)	10103478
2nd Sensor (Black)	10103497
2nd Sensor (White)	10103504
Flashing Light with Siren and Relay Adaptor	9285789
Mounting Bracket System Controller	9291279
Mounting Bracket Device Controller	9291280

## MAINTENANCE

Description	SAP Number
Small 2nd Sensor PSA (100/pk)	10033767





## Arch™

*Uncompromised  
security to power  
today's hottest  
products*

- Powers products for best demo experience
- 24" (61cm) Armored cable discourages cut and run
- Audible alarm
- Simple to install
- Re-merchandise with ease
- Convenient stand (sold separately)

Arch™ is designed to provide the best in class essential security for today's hottest products.

The unique charging capability of the Arch™ allows your customers to explore the features of a live product. The armored cable provides extra protection against theft and the rugged design is able to withstand a busy retail environment.

**Laptops • Notebooks • Tablets • eReaders • Netbooks • Handheld Game Consoles**



When displayed, the Arch™ creates a clean presentation.



The armored cable extends up to 24 inches (61 cm) to allow free and easy product interaction.



Secured directly to the fixture with screws, the Arch™ is easy to remerchandise.

## Power Capabilities

Live products can be displayed utilizing the Arch™ with an optional external power kit.



Housing Color Options	SAP Code
Black	10109360
Accessories	SAP Code
Acrylic Product Stand (Sold separately)	10109204
Product Side Adhesive (10 Pack)	10108992
Removal Tool	10109201



Acrylic Product Stand



## Lockdown System™ ProTrack™

*A simple, adjustable solution  
allowing secure access to your  
merchandise*



- Modern design is simple and unique
- Simplifies shopper access to display products
- Adjustable components accommodate a variety of different product sizes
- Minimal hardware allows you to re-merchandise with ease

Easy to install and designed to adjust to your particular needs, the ProTrack™ is as effective as it is functional. Allow your customers the ability to explore the features and functions of any live laptop, netbook, or notebook.

The ProTrack™ system works great in any display setting whether in a retail application or when exhibiting at a trade show.

## Laptops • Netbooks • Notebooks • Portable DVD Players

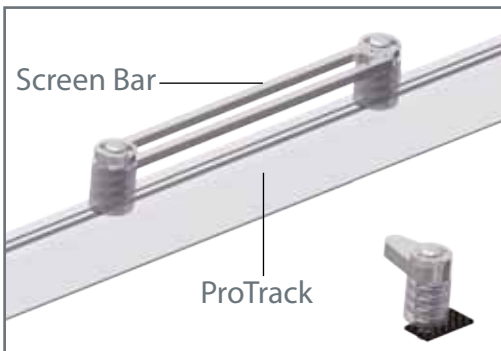


The ProTrack™ system is fully adjustable and can be positioned to limit or give access to CD/DVD trays, battery compartments or network card slots.

Easy to install and easy to remerchandise – a great choice for consistent and organized displays.



This mechanical system can be used alone or with an optional electronic security sensor to add an extra level of security.



<b>ProTrack</b>	<b>SAP Code</b>
2' Aluminum Track	10109685
6' Aluminum Track	10109019
<b>ProTrack Screen Bar</b>	<b>SAP Code</b>
Large	10108995
<b>Accessories</b>	<b>SAP Code</b>
Installation Tool	10109203

**ALPHA**<sup>®</sup>  
*High Theft Solutions*

A DIVISION OF **Checkpoint**<sup>®</sup> 

**Global Headquarters**  
10715 Sikes Place, Suite 200  
Charlotte, NC 28277

888.257.4272

**alphaworld.com**